

Submersible Motors & Accessories Catalog



The Leader In Submersible Motor Technology.

FPS
FINSBURY PUMP SYSTEMS
pumps for life...
POWAMAC
Products and Manufacturing



Franklin Electric

Submersible Motors Catalog Contents

4" Motors & Leads

Page



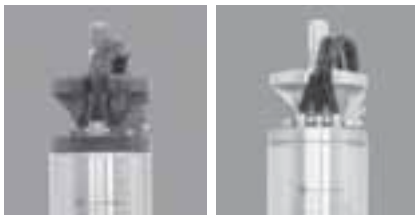
Super Stainless.....	3
High Thrust.....	13
Leads	20

6" Motors & Leads



Standard.....	21
Hi-Temp 90.....	35
Leads	41

8" Motors & Leads



Standard.....	44
Hi-Temp 75.....	51
316 SS Booster	55
Leads	60

4" Submersible Motors Super Stainless



Applications

These motors are built for dependable operation in 4" diameter or larger water wells.

Basic Features

- Corrosion-resistant Stainless Steel Exterior
- Stainless Steel Splined Shaft
- Hermetically-sealed Windings
- Anti-track Self-healing Resin System
- Filter Check Valve
- Water Lubrication
- Kingsbury-type Thrust Bearing
- Pressure-equalizing Diaphragm
- Built-in Lightning Arrestors (All Single-phase; 200 & 230 V Three-Phase)
- Removable Water Bloc Lead
- Franklin-manufactured Control Boxes Available for Single-Phase Motors
- UL 778 Recognized (North American Voltages)
- CSA Certified
- ANSI/NSF 61 Certified
- Industry Standard NEMA Mounting Dimensions

Special Features

- No flow inducer sleeve required in water up to 86°F (30°C) for motors through 2 Hp.
- Two-wire motors are split-phase designs with integral starting components and do not require a control box. They feature Franklin's patented 2-wire BIAC starting switch which provides Reverse Impact Torque to aid starting in adverse environments and prevents extreme fast cycling (e.g. water logged tank).
- Three-wire motors through 1 Hp use Franklin's exclusive 3-wire QD (Quick Disconnect) Control Box with the patented QD Relay. This relay provides the ultimate in operational life.
- Single-phase motors can be used with Pumptec products to protect against dry-run and other installation conditions that can damage motors and/or pumps. See Single-phase Protection Devices for details.

Constant Pressure Options

- Use Franklin's MonoDrive controller with 1 1/2 Hp three-wire single-phase motors to provide constant water pressure.
- Three-phase motors can be used with SubDrive controllers to provide constant water pressure.

Pollution Recovery Option

- Pollution Recovery motors are equipped for use in monitoring and recovery wells in which hydrocarbons and other chemicals may be present.
- Special Viton® rubber parts and other chemical resistant materials as listed in Construction Materials chart.

4" Submersible Motors Super Stainless

4-Inch Super Stainless Motor Specifications

Hz	Ph	Hp Range	kW Range	Poles	RPM	Max. Ambient Temp.	Duty Rating	Rotation
60	2-Wire	1/3 - 1.5	0.25 - 1.1	2	3450	86°F / 30°C	Continuous	CCW Facing Shaft End
50	2-Wire	1/2 - 1.5	0.37 - 1.1	2	2875	86°F / 30°C	Continuous	
60	3-Wire	1/3 - 3	0.25 - 2.2	2	3450	86°F / 30°C	Continuous*	
50	3-Wire	1/3 - 3	0.25 - 2.2	2	2875	86°F / 30°C	Continuous*	
60	3-Phase	1/2 - 3	0.37 - 2.2	2	3450	86°F / 30°C	Continuous*	Electrically Reversible
50	3-Phase	1/2 - 3	0.37 - 2.2	2	2875	86°F / 30°C	Continuous*	

4-Inch Pollution Recovery Motor Specifications

Hz	Ph	Hp Range	kW Range	Poles	RPM	Max. Ambient Temp.	Duty Rating	Rotation
60	2-Wire	1/3 - 1.5	0.25 - 1.1	2	3450	86°F / 30°C	Continuous	CCW Facing Shaft End
50	2-Wire	1/2 - 1.5	0.37 - 1.1	2	2875	86°F / 30°C	Continuous	
60	3-Wire	1/3 - 2	0.25 - 1.5	2	3450	86°F / 30°C	Continuous	
50	3-Wire	1/3 - 2	0.25 - 1.5	2	2875	86°F / 30°C	Continuous	
60	3-Phase	1/2 - 2	0.37 - 1.5	2	3450	86°F / 30°C	Continuous	Electrically Reversible
50	3-Phase	1/2 - 2	0.37 - 1.5	2	2875	86°F / 30°C	Continuous	

*3 Hp motors require 0.25 ft/sec flow past motor.

4-Inch Construction Materials

Component	Construction Type	
	Standard Water Well	Pollution Recovery
End Bells	304 SS over Iron	304 SS over Iron
Stator Shell	301 SS	301 SS
Shaft Extension	17-4 SS	17-4 SS
Fasteners	300 Series SS	316 SS
Seal Cover	Acetal	Tefzel®
Seal	Nitrile Rubber Lip	Viton®
Diaphragm	Nitrile Rubber	Viton®
Slinger	Nitrile Rubber	Viton®
Lead Wire (or Cable)	XLPE	Lead not furnished with motor
Lead Potting	Epoxy	Lead not furnished with motor
Lead Jam Nut	300 Series SS	Lead not furnished with motor

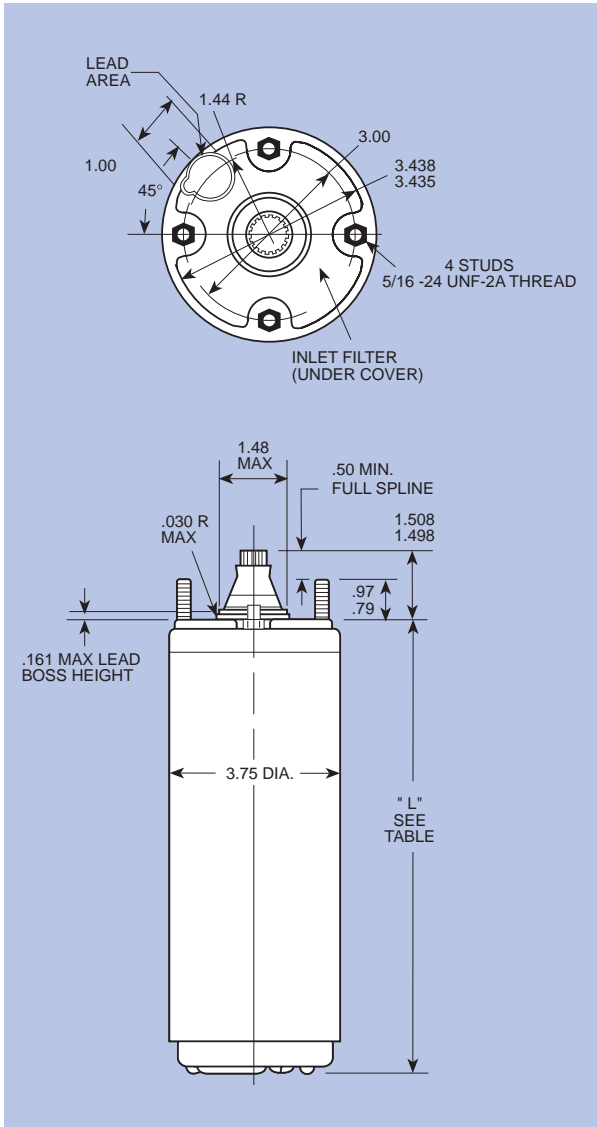
Specifications subject to change without notice. Contact Franklin Electric if current material types are required for bid specifications.

Viton® is a registered trademark of DuPont Dow Elastomers.

Tefzel® is a registered trademark of E.I. du Pont Nemours and Company.

4" Submersible Motors Super Stainless

4-Inch Dimensions and Weights



Single-phase Motors - 2-wire

HP	KW	"L" (inches)	SHIPPING WEIGHT		MOTOR CARTON SIZE (in inches)
			LBS	KG	
1/3	0.25	8.76	16	7.3	4 x 4.375 x 16
1/2	0.37	9.51	18	8.2	4 x 4.375 x 16
3/4	0.55	10.64	21	9.5	4 x 4.375 x 19
1	0.75	11.73	24	10.9	4 x 4.375 x 19
1.5	1.1	15.10	31	14.1	4 x 4.375 x 21

Single-phase Motors - 3-wire

HP	KW	"L" (inches)	SHIPPING WEIGHT		MOTOR CARTON SIZE (in inches)
			LBS	KG	
1/3	0.25	8.76	17	7.7	4 x 4.375 x 16
1/2	0.37	9.51	19	8.6	4 x 4.375 x 16
3/4	0.55	10.64	21	9.5	4 x 4.375 x 19
1	0.75	11.73	24	10.9	4 x 4.375 x 19
1.5	1.1	13.60	28	12.7	4 x 4.375 x 21
2	1.5	15.10	33	15.0	4 x 4.375 x 21
3	2.2	19.04	41	18.6	6 x 6 x 25

Three-phase Motors

HP	KW	"L" (inches)	SHIPPING WEIGHT		MOTOR CARTON SIZE (in inches)
			LBS	KG	
1/2	0.37	9.51	18	8.2	4 x 4.375 x 16
3/4	0.55	10.64	21	9.5	4 x 4.375 x 16
1	0.75	11.73	24	10.9	4 x 4.375 x 19
1.5	1.1	11.73	24	10.9	4 x 4.375 x 19
2	1.5	13.60	28	12.7	4 x 4.375 x 21
3	2.2	16.04	35	15.9	6 x 6 x 22

All dimensions listed above are for models supplied with lead. Consult factory for other models.

4" Submersible Motors Super Stainless

4-Inch 2-wire Models

HP (KW)	DESCRIPTION							MODEL	STOCK STATUS	DOWN-WARD THRUST RATING
	W/PH	CONSTRUCTION	VOLTS	HZ	S.F.	LEAD IN MTR	PACK			
1/3 Hp .25 kW	2-WIRE	WATER WELL	115	60	1.75		P	244 502 01		300 LBS (1500 N)
			115	60	1.75		S	244 502 01--S		
			115	60	1.75	YES	P	244 502 90	YES	
			115	60	1.75	YES	S	244 502 90--S		
			230	60	1.75		P	244 503 01		
			230	60	1.75		S	244 503 01--S		
			230	60	1.75	YES	P	244 503 90	YES	
		230	60	1.75	YES	S	244 503 90--S			
		POLLUTION RECOVERY	115	60	1.75		P	244 502 09		
			115	60	1.75		S	244 502 09--S		
230	60		1.75		P	244 503 09				
230	60		1.75		S	244 503 09--S				
1/2 Hp .37 kW	2-WIRE	WATER WELL	115	60	1.6		P	244 504 01	YES	300 LBS (1500 N)
			115	60	1.6		S	244 504 01--S		
			115	60	1.6	YES	P	244 504 90	YES	
			115	60	1.6	YES	S	244 504 90--S	YES	
			220	50	1.0		P	244 555 01	YES	
			220	50	1.0		S	244 555 01--S	YES	
			230	60	1.6		P	244 505 01	YES	
			230	60	1.6		S	244 505 01--S		
			230	60	1.6	YES	P	244 505 90	YES	
		230	60	1.6	YES	S	244 505 90--S	YES		
		POLLUTION RECOVERY	115	60	1.6		P	244 504 09		
			115	60	1.6		S	244 504 09--S		
230	60		1.6		P	244 505 09				
230	60		1.6		S	244 505 09--S				
3/4 Hp .55 kW	2-WIRE	WATER WELL	220	50	1.0		P	244 557 01	YES	300 LBS (1500 N)
			220	50	1.0		S	244 557 01--S	YES	
			230	60	1.5		P	244 507 01	YES	
			230	60	1.5		S	244 507 01--S		
			230	60	1.5	YES	P	244 507 90	YES	
			230	60	1.5	YES	S	244 507 90--S	YES	
		POLLUTION RECOVERY	230	60	1.5		P	244 507 09		
			230	60	1.5		S	244 507 09--S		
1 Hp .75 kW	2-WIRE	WATER WELL	220	50	1.0		P	244 558 12	YES	650 LBS (3000 N)
			220	50	1.0		S	244 558 12--S	YES	
			230	60	1.4		P	244 508 12	YES	
			230	60	1.4		S	244 508 12--S		
			230	60	1.4	YES	P	244 508 90	YES	
			230	60	1.4	YES	S	244 508 90--S	YES	
		POLLUTION RECOVERY	230	60	1.4		P	244 508 23		
			230	60	1.4		S	244 508 23--S		

4" Submersible Motors Super Stainless

4-Inch 2-wire Models

HP (KW)	DESCRIPTION							MODEL	STOCK STATUS	DOWN-WARD THRUST RATING
	W/PH	CONSTRUCTION	VOLTS	HZ	S.F.	LEAD IN MTR	PACK			
1.5 Hp 1.1 kW	2-WIRE	WATER WELL	220	50	1.0		P	244 359 12	YES	650 LBS (3000 N)
			220	50	1.0		S	244 359 12--S	YES	
			230	60	1.3		P	244 309 12	YES	
			230	60	1.3		S	244 309 12--S		
			230	60	1.3	YES	P	244 309 90	YES	
			230	60	1.3	YES	S	244 309 90--S	YES	
		POLLUTION RECOVERY	230	60	1.3		P	244 309 23		
			230	60	1.3		S	244 309 23--S		

NOTES:

1. Pack Designation: P = Pallet Pack, available in multiples of 40. S = Single Pack, available in any quantity.
2. Contact factory for lead time for non-stocked items.

4" Submersible Motors Super Stainless

4-Inch 3-wire Models

HP (KW)	DESCRIPTION							MOTOR MODEL	CONTROL BOX MODEL	STOCK STATUS	DOWN-WARD THRUST RATING
	W/PH	CONSTRUCTION	VOLTS	HZ	S.F.	LEAD IN MTR	PACK				
1/3 Hp .25 kW	3- WIRE	WATER WELL	115	60	1.75		P	214 502 44	280 102 49		300 LBS (1500 N)
			115	60	1.75		S	214 502 44--S	280 102 49		
			115	60	1.75	YES	P	214 502 90	280 102 49	YES	
			115	60	1.75	YES	S	214 502 90--S	280 102 49	YES	
			220	50	1.0		P	214 553 41	280 353 01		
			220	50	1.0		S	214 553 41--S	280 353 01		
			230	60	1.75		P	214 503 44	280 103 49		
			230	60	1.75		S	214 503 44--S	280 103 49		
			230	60	1.75	YES	P	214 503 90	280 103 49	YES	
		230	60	1.75	YES	S	214 503 90--S	280 103 49	YES		
		POLLUTION RECOVERY	115	60	1.75		P	214 502 49	280 102 49		
			115	60	1.75		S	214 502 49--S	280 102 49	YES	
230	60		1.75		P	214 503 49	280 103 49				
230	60		1.75		S	214 503 49--S	280 103 49	YES			
1/2 Hp .37 kW	3- WIRE	WATER WELL	115	60	1.6		P	214 504 44	280 104 49	YES	300 LBS (1500 N)
			115	60	1.6		S	214 504 44--S	280 104 49	YES	
			115	60	1.6	YES	P	214 504 90	280 104 49	YES	
			115	60	1.6	YES	S	214 504 90--S	280 104 49	YES	
			220	50	1.0		P	214 555 41	280 355 01	YES	
			220	50	1.0		S	214 555 41--S	280 355 01	YES	
			230	60	1.6		P	214 505 44	280 105 49	YES	
			230	60	1.6		S	214 505 44--S	280 105 49	YES	
			230	60	1.6	YES	P	214 505 90	280 105 49	YES	
		230	60	1.6	YES	S	214 505 90--S	280 105 49	YES		
		POLLUTION RECOVERY	115	60	1.6		P	214 504 49	280 104 49		
			115	60	1.6		S	214 504 49--S	280 104 49	YES	
230	60		1.6		P	214 505 49	280 105 49				
230	60		1.6		S	214 505 49--S	280 105 49	YES			
3/4 Hp .55 kW	3- WIRE	WATER WELL	220	50	1.0		P	214 557 41	280 357 01	YES	300 LBS (1500 N)
			220	50	1.0		S	214 557 41--S	280 357 01	YES	
			230	60	1.5		P	214 507 44	280 107 49	YES	
			230	60	1.5		S	214 507 44--S	280 107 49		
			230	60	1.5	YES	P	214 507 90	280 107 49	YES	
			230	60	1.5	YES	S	214 507 90--S	280 107 49	YES	
		POLLUTION RECOVERY	230	60	1.5		P	214 507 49	280 107 49		
			230	60	1.5		S	214 507 49--S	280 107 49	YES	

4" Submersible Motors Super Stainless

4-Inch 3-wire Models

HP (kW)	DESCRIPTION							MOTOR MODEL	CONTROL BOX MODEL	STOCK STATUS	DOWN-WARD THRUST RATING
	W/PH	CONSTRUCTION	VOLTS	HZ	S.F.	LEAD IN MTR	PACK				
1 Hp .75 kW	3-WIRE	WATER WELL	220	50	1.0		P	214 558 19	280 358 01	YES	650 LBS (3000 N)
			220	50	1.0		S	214 558 19--S	280 358 01	YES	
			230	60	1.4		P	214 508 12	280 108 49	YES	
			230	60	1.4		S	214 508 12--S	280 108 49	YES	
			230	60	1.4	YES	P	214 508 90	280 108 49	YES	
			230	60	1.4	YES	S	214 508 90--S	280 108 49	YES	
		POLLUTION RECOVERY	230	60	1.4		P	214 508 23	280 108 49		
			230	60	1.4		S	214 508 23--S	280 108 49	YES	
1.5 Hp 1.1 kW	3-WIRE	WATER WELL	220	50	1.0		P	224 350 19	282 350 81	YES	650 LBS (3000 N)
			220	50	1.0		S	224 350 19--S	282 350 81	YES	
			230	60	1.3		P	224 300 19	282 300 81	YES	
			230	60	1.3		S	224 300 19--S	282 300 81	YES	
			230	60	1.3	YES	P	224 300 92	282 300 81	YES	
			230	60	1.3	YES	S	224 300 92--S	282 300 81	YES	
		POLLUTION RECOVERY	230	60	1.3		P	224 300 23	282 300 81		
			230	60	1.3		S	224 300 23--S	282 300 81	YES	
2 Hp 1.5 kW	3-WIRE	WATER WELL	220	50	1.0		P	224 351 19	282 351 81	YES	650 LBS (3000 N)
			220	50	1.0		S	224 351 19--S	282 351 81	YES	
			230	60	1.25		P	224 301 19	282 301 81	YES	
			230	60	1.25		S	224 301 19--S	282 301 81	YES	
			230	60	1.25	YES	P	224 301 92	282 301 81	YES	
			230	60	1.25	YES	S	224 301 92--S	282 301 81	YES	
		POLLUTION RECOVERY	230	60	1.25		P	224 301 23	282 301 81		
			230	60	1.25		S	224 301 23--S	282 301 81	YES	
3 Hp 2.2 kW	3-WIRE	WATER WELL	220	50	1.00		S	224 352 25	282 352 81	YES	900 LBS (4000 N)
			230	60	1.15		S	224 302 25	282 302 81	YES	
			230	60	1.15	YES	S	224 302 26	282 302 81	YES	

NOTES:

1. Pack Designation: P = Pallet Pack, available in multiples of 40. S = Single Pack, available in any quantity.
2. Contact factory for lead time for non-stocked items.

4" Submersible Motors Super Stainless

4-Inch 3-phase Models

HP (KW)	DESCRIPTION							MODEL	STOCK STATUS	DOWN-WARD THRUST RATING		
	W/PH	CONSTRUCTION	VOLTS	HZ	S.F.	LEAD IN MTR	PACK					
1/2 Hp .37 kW	3-PHASE	WATER WELL	200	60	1.6		P	234 501 41		300 LBS (1500 N)		
			200	60	1.6		S	234 501 41--S				
			200	60	1.6	YES	P	234 501 92				
			200	60	1.6	YES	S	234 501 92--S				
			220	50	1.0		P	234 551 41				
			220	50	1.0		S	234 551 41--S				
			230	60	1.6		P	234 511 41				
			230	60	1.6		S	234 511 41--S				
			230	60	1.6	YES	P	234 511 92	YES			
			230	60	1.6	YES	S	234 511 92--S	YES			
			380-415	50	1.0		P	234 561 31	YES			
			380-415	50	1.0		S	234 561 31--S	YES			
			460	60	1.6		P	234 521 31				
			460	60	1.6		S	234 521 31--S				
			460	60	1.6	YES	P	234 521 94	YES			
			460	60	1.6	YES	S	234 521 94--S	YES			
				POLLUTION RECOVERY	200	60	1.6		P		234 501 49	
					200	60	1.6		S		234 501 49--S	
					230	60	1.6		P		234 511 49	
					230	60	1.6		S		234 511 49--S	
		460	60		1.6		P	234 521 49				
		460	60		1.6		S	234 521 49--S				
3/4 Hp .55 kW	3-PHASE	WATER WELL	200	60	1.5		P	234 502 41		300 LBS (1500 N)		
			200	60	1.5		S	234 502 41--S				
			200	60	1.5	YES	P	234 502 92				
			200	60	1.5	YES	S	234 502 92--S				
			220	50	1.0		P	234 552 41				
			220	50	1.0		S	234 552 41--S				
			230	60	1.5		P	234 512 41				
			230	60	1.5		S	234 512 41--S				
			230	60	1.5	YES	P	234 512 92	YES			
			230	60	1.5	YES	S	234 512 92--S	YES			
			380-415	50	1.0		P	234 562 31	YES			
			380-415	50	1.0		S	234 562 31--S	YES			
			460	60	1.5		P	234 522 31				
			460	60	1.5		S	234 522 31--S				
			460	60	1.5	YES	P	234 522 94	YES			
			460	60	1.5	YES	S	234 522 94--S	YES			
				POLLUTION RECOVERY	200	60	1.5		P		234 502 49	
					200	60	1.5		S		234 502 49--S	
					230	60	1.5		P		234 512 49	
					230	60	1.5		S		234 512 49--S	YES
		460	60		1.5		P	234 522 49				
		460	60		1.5		S	234 522 49--S	YES			

4" Submersible Motors Super Stainless

4-Inch 3-phase Models

HP (KW)	DESCRIPTION							MODEL	STOCK STATUS	DOWN-WARD THRUST RATING		
	W/PH	CONSTRUCTION	VOLTS	HZ	S.F.	LEAD IN MTR	PACK					
1 Hp .75 kW	3-PHASE	WATER WELL	200	60	1.4		P	234 503 19	YES	650 LBS (3000 N)		
			200	60	1.4		S	234 503 19--S	YES			
			200	60	1.4	YES	P	234 503 92	YES			
			200	60	1.4	YES	S	234 503 92--S	YES			
			220	50	1.0		P	234 553 41				
			220	50	1.0		S	234 553 41--S				
			230	60	1.4		P	234 513 19				
			230	60	1.4		S	234 513 19--S				
			230	60	1.4	YES	P	234 513 92	YES			
			230	60	1.4	YES	S	234 513 92--S	YES			
			380-415	50	1.0		P	234 563 31	YES			
			380-415	50	1.0		S	234 563 31--S	YES			
			460	60	1.4		P	234 523 16	YES			
			460	60	1.4		S	234 523 16--S				
		460	60	1.4	YES	P	234 523 94	YES				
		460	60	1.4	YES	S	234 523 94--S	YES				
				POLLUTION RECOVERY	200	60	1.4		P		234 503 23	
				POLLUTION RECOVERY	200	60	1.4		S		234 503 23--S	YES
				POLLUTION RECOVERY	230	60	1.4		P		234 513 23	
				POLLUTION RECOVERY	230	60	1.4		S		234 513 23--S	
		POLLUTION RECOVERY	460	60	1.4		P	234 523 23				
		POLLUTION RECOVERY	460	60	1.4		S	234 523 23--S				
1.5 Hp 1.1 kW	3-PHASE	WATER WELL	200	60	1.3		P	234 504 19		650 LBS (3000 N)		
			200	60	1.3		S	234 504 19--S				
			200	60	1.3	YES	P	234 504 92	YES			
			200	60	1.3	YES	S	234 504 92--S	YES			
			220	50	1.0		P	234 554 19				
			220	50	1.0		S	234 554 19--S				
			230	60	1.3		P	234 514 19	YES			
			230	60	1.3		S	234 514 19--S				
			230	60	1.3	YES	P	234 514 92	YES			
			230	60	1.3	YES	S	234 514 92--S	YES			
			460/380	60/50	1.3/1.0		P	234 524 16	YES			
			460/380	60/50	1.3/1.0		S	234 524 16--S	YES			
			460/380	60/50	1.3/1.0	YES	P	234 524 94	YES			
			460/380	60/50	1.3/1.0	YES	S	234 524 94--S	YES			
		575	60	1.3		P	234 534 16					
		575	60	1.3		S	234 534 16--S					
		575	60	1.3	YES	P	234 534 94	YES				
		575	60	1.3	YES	S	234 534 94--S	YES				
				POLLUTION RECOVERY	200	60	1.3		P		234 504 23	
				POLLUTION RECOVERY	200	60	1.3		S		234 504 23--S	
		POLLUTION RECOVERY	230	60	1.3		P	234 514 23				
		POLLUTION RECOVERY	230	60	1.3		S	234 514 23--S	YES			
		POLLUTION RECOVERY	460/380	60/50	1.3/1.0		P	234 524 23				
		POLLUTION RECOVERY	460/380	60/50	1.3/1.0		S	234 524 23--S	YES			

4" Submersible Motors Super Stainless

4-Inch 3-phase Models

HP (KW)	DESCRIPTION							MODEL	STOCK STATUS	DOWN-WARD THRUST RATING			
	W/PH	CONSTRUCTION	VOLTS	HZ	S.F.	LEAD IN MTR	PACK						
2 Hp 1.5 kW	3-PHASE	WATER WELL	200	60	1.25		P	234 305 16		650 LBS (3000 N)			
			200	60	1.25		S	234 305 16--S					
			200	60	1.25	YES	P	234 305 92	YES				
			200	60	1.25	YES	S	234 305 92--S	YES				
			220	50	1.0		P	234 355 19					
			220	50	1.0		S	234 355 19--S					
			230	60	1.25		P	234 315 16	YES				
			230	60	1.25		S	234 315 16--S	YES				
			230	60	1.25	YES	P	234 315 92	YES				
			230	60	1.25	YES	S	234 315 92--S	YES				
			460/380	60/50	1.25/1.0		P	234 325 16	YES				
			460/380	60/50	1.25/1.0		S	234 325 16--S	YES				
			460/380	60/50	1.25/1.0	YES	P	234 325 94	YES				
			460/380	60/50	1.25/1.0	YES	S	234 325 94--S	YES				
			575	60	1.25		P	234 335 16					
			575	60	1.25		S	234 335 16--S					
		575	60	1.25	YES	P	234 335 94	YES					
		575	60	1.25	YES	S	234 335 94--S	YES					
				POLLUTION RECOVERY	200	60	1.25		P		234 305 23		
					200	60	1.25		S		234 305 23--S		
230	60				1.25		P	234 315 23					
230	60				1.25		S	234 315 23--S					
460/380	60/50				1.25/1.0		P	234 325 23					
460/380	60/50				1.25/1.0		S	234 325 23--S					
3 Hp 2.2 kW	3-PHASE				WATER WELL	200	60	1.15		S	234 306 25		900 LBS (4000 N)
						200	60	1.15	YES	S	234 306 26	YES	
						220	50	1.0		S	234 356 25		
						230	60	1.15		S	234 316 25	YES	
		230	60	1.15		YES	S	234 316 26	YES				
		380	60	1.15			S	234 346 25	YES				
		380	60	1.15		YES	S	234 346 26	YES				
		460/380	60/50	1.15/1.0			S	234 326 25	YES				
		460/380	60/50	1.15/1.0		YES	S	234 326 26	YES				
		575	60	1.15			S	234 336 25					
575	60	1.15	YES	S	234 336 26	YES							

NOTES:

1. Pack Designation: P = Pallet Pack, available in multiples of 40. S = Single Pack, available in any quantity. All 3 Hp motors are single-packed.
2. Contact factory for lead time for non-stocked items.

4" Submersible Motors High Thrust



Application

These motors are built for dependable operation in 4" diameter or larger water wells.

Basic Features

- Corrosion-resistant Construction
- Stainless Steel Splined Shaft
- Hermetically-sealed Windings
- Anti-track Self-healing Resin System
- Filter Check Valve
- Water Lubrication
- Kingsbury-type Thrust Bearing
- Pressure-equalizing Diaphragm
- Sand Fighting Slinger
- Built-in Lightning Arrestors (Single-phase)
- Removable Water Bloc™ Lead
- Franklin-manufactured Control Boxes Available for Single-phase Motors
- UL 778 Recognized (North American Voltages)
- CSA Certified
- ANSI/NSF 61 Certified
- Industry Standard NEMA Mounting Dimensions

Special Options

- **316 SS Construction**
Special construction option for corrosive applications, including acids, low pH, and seawater.
- **Sand Fighter™ Construction**
Special construction option for sandy water wells. Motors include Sand Fighter sealing system with silicon carbide mechanical shaft seal and are warranted against sand entry failure.
- **Coalbed Methane Construction**
Special construction option for coalbed methane wells. Includes Sand Fighter sealing system, reinforced diaphragm housing to resist damage from bottom tagging, and protective filter to shield diaphragm from debris.
- **Oil Stripper Construction**
Special construction option for secondary oil recovery wells where there is a mixture of oil and water. They are also suitable for geothermal and other water well applications where high temperatures and/or high pH conditions exist. Three-phase Oil Stripper motors are equipped with Subtrol heat sensor for use with SubMonitor protection devices.

4" Submersible Motors High Thrust

4-Inch High Thrust Motor Specifications

Hz	Ph	Hp Range	kW Range	Poles	RPM	Max. Ambient Temp.	Duty Rating	Rotation
60	1	1.5 - 5	1.1 - 3.7	2	3450	86°F / 30°C	Continuous at 0.25 ft/sec flow past motor	CCW Facing Shaft End
50	1	1.5 - 5	1.1 - 3.7	2	2875	86°F / 30°C	Continuous at 0.25 ft/sec flow past motor	CCW Facing Shaft End
60	3	1.5 - 10	1.1 - 7.5	2	3450	86°F / 30°C	Continuous at 0.25 ft/sec flow past motor	Electrically Reversible
50	3	1.5 - 10	1.1 - 7.5	2	2875	86°F / 30°C	Continuous at 0.25 ft/sec flow past motor	Electrically Reversible

NOTE: Not all ratings available in all construction options.

4-Inch High Thrust Construction Materials

Component	Construction Type		
	Standard Water Well	Coalbed Methane	Sand Fighter™
End Castings	304 SS over Iron	304 SS (Top), 304 SS over Iron (Bottom)	304 SS (Top), 304 SS over Iron (Bottom)
Stator Shell	301 SS	301 SS	301 SS
Stator Ends	Low Carbon Steel	Low Carbon Steel	Low Carbon Steel
Shaft Extension	17-4 SS	17-4 SS	17-4 SS
Fasteners	300 Series SS	300 Series SS	300 Series SS
Seal Cover	Acetal	Sintered Bronze	Sintered Bronze
Seal	Nitrile Rubber Lip	Sand Fighter™ SiC/SiC Seal System	Sand Fighter™ SiC/SiC Seal System
Diaphragm	Nitrile Rubber	Nitrile Rubber	Nitrile Rubber
Diaphragm Plate	304 SS	304 SS	304 SS
Diaphragm Spring	302 SS	302 SS	302 SS
Diaphragm Cover	304 SS	304 SS	304 SS
Slinger	Nitrile Rubber	Nitrile Rubber	Nitrile Rubber
Lead Wire (or Cable)	XLPE	XLPE	XLPE
Lead Potting	Epoxy	Epoxy	Epoxy
Lead Jam Nut	300 Series SS	300 Series SS	300 Series SS
Filter	Delrin & Polyester	Delrin & Polyester	Delrin & Polyester

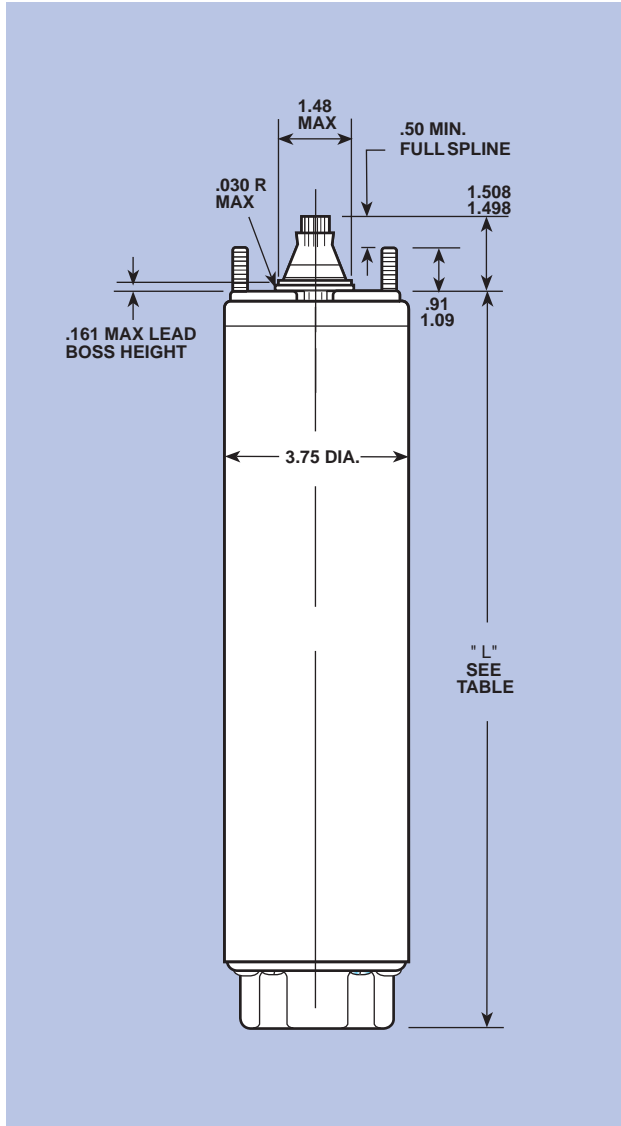
Component	Construction Type	
	316 SS	Oil Stripper
End Castings	316 SS	Ni-Resist Type 1B
Stator Shell	316 SS	316 SS
Stator Ends	316 SS	316 SS
Shaft Extension	17-4 SS	17-4 SS
Fasteners	316 SS	316 SS
Seal Cover	316 SS	316 SS
Seal	Viton®, Carbon Ceramic Face Seal	Viton®, Carbon Ceramic Face Seal
Diaphragm	Type 200 Hydrin	Nitrile Rubber with Extra Capacity
Diaphragm Plate	304 SS	None
Diaphragm Spring	302 SS	17-7 SS
Diaphragm Cover	316 SS	Ni-Resist Type 1B
Slinger	Nitrile Rubber	Nitrile Rubber
Lead Wire (or Cable)	XLPE	Nitrile
Lead Potting	Epoxy	Epoxy
Lead Jam Nut	316 SS	316 SS
Filter	316 SS Plug	316 SS Plug

Specifications subject to change without notice. Contact Franklin Electric if current material types are required for bid specifications.

Viton® is a registered trademark of DuPont Dow Elastomers.

4" Submersible Motors High Thrust

4-Inch High Thrust Dimensions and Weights



Single-phase Motors*

HP	KW	"L" (inches)	SHIPPING WEIGHT		MOTOR CARTON SIZE (in inches)
			LBS	KG	
1.5	1.1	17.69	38	17.3	6 x 6 x 23
2	1.5	19.19	43	19.5	6 x 6 x 25
3	2.2	22.19	55	25.0	6 x 6 x 28
5	3.7	28.19	70	31.8	6 x 6 x 34

Single-phase Motors - Oil Stripper

HP	KW	"L" (inches)	SHIPPING WEIGHT		MOTOR CARTON SIZE (in inches)
			LBS	KG	
2	1.5	22.87	46	20.9	6 x 6 x 28
3	2.2	25.87	54	24.5	6 x 6 x 34
5	3.7	31.87	75	34.1	6 x 6 x 37

Three-phase Motors*

HP	KW	"L" (inches)	SHIPPING WEIGHT		MOTOR CARTON SIZE (in inches)
			LBS	KG	
1.5	1.1	15.82	33	15.0	6 x 6 x 23
2	1.5	17.69	38	17.3	6 x 6 x 23
3	2.2	19.19	43	19.5	6 x 6 x 25
4	3.0	22.19	55	25.0	6 x 6 x 28
5	3.7	22.19	55	25.0	6 x 6 x 28
5.5	4.0	24.69	61	27.7	6 x 6 x 28
7.5	5.5	28.18	70	31.8	6 x 6 x 34
10	7.5	30.44	75	34.1	6 x 6 x 36

Three-phase Motors - Oil Stripper

HP	KW	"L" (inches)	SHIPPING WEIGHT		MOTOR CARTON SIZE (in inches)
			LBS	KG	
2	1.5	21.37	42	19.1	6 x 6 x 25
3	2.2	22.87	50	22.7	6 x 6 x 28
5	3.7	25.87	58	26.4	6 x 6 x 34
7.5	5.5	31.87	75	34.1	6 x 6 x 37

* Represents standard and Sand Fighter construction models. Consult factory for CBM and 316 SS weights and dimensions.

4" Submersible Motors High Thrust

4-Inch High Thrust Models

HP (KW)	DESCRIPTION						MODEL	STOCK STATUS	DOWNWARD THRUST RATING
	CONSTRUCTION	PH	VOLTS	HZ	S.F.	LEAD IN MTR			
1.5 Hp 1.1 kW	WATER WELL	1P	230	60	1.3		224 300 34		1500 LBS (6500 N)
		3P	200	60	1.3		234 504 34		
		3P	230	60	1.3		234 514 34		
		3P	460/380	60/50	1.3/1.0		234 524 34		
		3P	575	60	1.3		234 534 34		
	316 SS	1P	230	60	1.3		224 300 74		
		3P	200	60	1.3		234 504 74		
		3P	230	60	1.3		234 514 74		
		3P	460/380	60/50	1.3/1.0		234 524 74		
		3P	575	60	1.3		234 534 74		
2 Hp 1.5 kW	WATER WELL	1P	230	60	1.25		224 301 34		1500 LBS (6500 N)
		3P	200	60	1.25		234 305 34		
		3P	230	60	1.25		234 315 34		
		3P	460/380	60/50	1.25/1.0		234 325 34		
		3P	575	60	1.25		234 335 34		
	SAND FIGHTER	1P	230	60	1.15	YES	224 301 84	YES	
	316 SS	1P	230	60	1.25		224 301 74		
		3P	200	60	1.25		234 305 74		
		3P	230	60	1.25		234 315 74		
		3P	460/380	60/50	1.25/1.0		234 325 74		
		3P	575	60	1.25		234 335 74		
	OIL STRIPPER	1P	230	60	1.25	YES	224 301 50		
		3P	230	60	1.25	YES	234 315 50		
		3P	460/380	60/50	1.25/1.0	YES	234 325 50		

4" Submersible Motors High Thrust

4-Inch High Thrust Models

HP (KW)	DESCRIPTION						MODEL	STOCK STATUS	DOWNWARD THRUST RATING
	CONSTRUCTION	PH	VOLTS	HZ	S.F.	LEAD IN MTR			
3 Hp 2.2 kW	WATER WELL	1P	220	50	1.0		224 352 34		1500 LBS (6500 N)
		1P	230	60	1.15		224 302 34		
		1P	230	60	1.15	YES	224 302 52	YES	
		3P	200	60	1.15		234 306 34		
		3P	200	60	1.15	YES	234 306 52	YES	
		3P	220	50	1.0		234 356 34		
		3P	230	60	1.15		234 316 34		
		3P	230	60	1.15	YES	234 316 52	YES	
		3P	380	60	1.15		234 346 34		
		3P	380	60	1.15	YES	234 346 52	YES	
		3P	460/380	60/50	1.15/1.0		234 326 34		
		3P	460/380	60/50	1.15/1.0	YES	234 326 52	YES	
		3P	575	60	1.15		234 336 34		
	3P	575	60	1.15	YES	234 336 52	YES		
	COALBED METHANE	3P	200	60	1.15	YES	234 306 82		
		3P	230	60	1.15	YES	234 316 82		
		3P	460/380	60/50	1.15/1.0	YES	234 326 82	YES	
		3P	575	60	1.15	YES	234 336 82		
		3P	380	60	1.15	YES	234 346 82		
	SAND FIGHTER	1P	230	60	1.15	YES	224 302 84	YES	
		3P	200	60	1.15	YES	234 306 84		
		3P	230	60	1.15	YES	234 316 84	YES	
		3P	460/380	60/50	1.15/1.0	YES	234 326 84	YES	
		3P	575	60	1.15	YES	234 336 84		
3P		380	60	1.15	YES	234 346 84			
316 SS	1P	230	60	1.15		224 302 74			
	3P	200	60	1.15		234 306 74			
	3P	230	60	1.15		234 316 74			
	3P	460/380	60/50	1.15/1.0		234 326 74			
	3P	575	60	1.15		234 336 74			
OIL STRIPPER	1P	230	60	1.15	YES	224 302 50			
	3P	230	60	1.15	YES	234 316 50			
	3P	460/380	60/50	1.15/1.0	YES	234 326 50			
4 Hp 3 kW	WATER WELL	3P	460/380	60/50	1.15/1.0		234 395 34	YES	
		3P	460/380	60/50	1.15/1.0	YES	234 395 52		

4" Submersible Motors High Thrust

4-Inch High Thrust Models

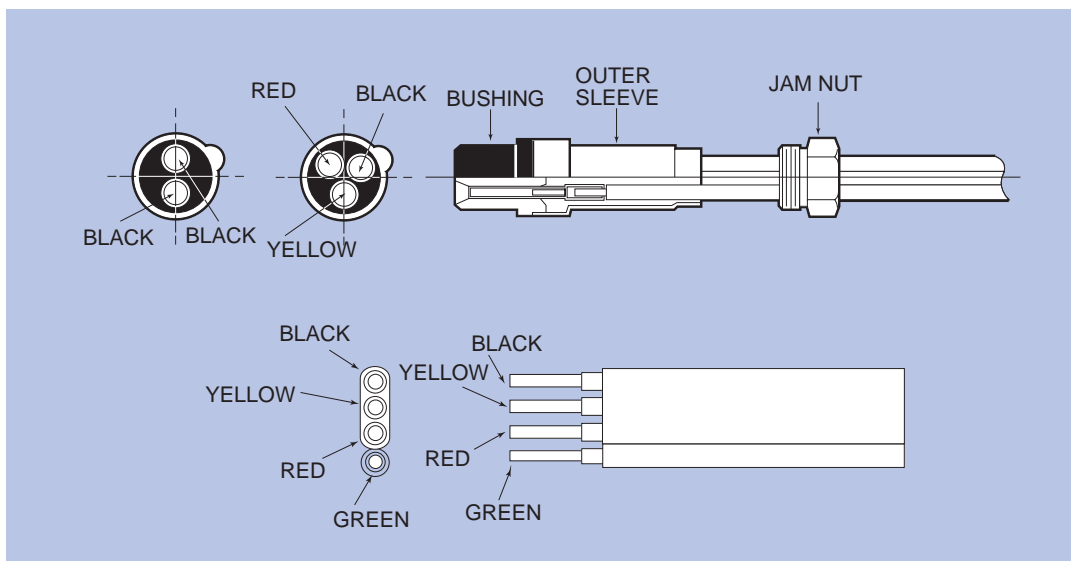
HP (KW)	DESCRIPTION						MODEL	STOCK STATUS	DOWNWARD THRUST RATING
	CONSTRUCTION	PH	VOLTS	HZ	S.F.	LEAD IN MTR			
5 Hp 3.7 kW	WATER WELL	1P	220	50	1.0		224 353 34	YES	1500 LBS (6500 N)
		1P	230	60	1.15		224 303 34	YES	
		1P	230	60	1.15	YES	224 303 52	YES	
		3P	200	60	1.15		234 307 34		
		3P	200	60	1.15	YES	234 307 52	YES	
		3P	220	50	1.0		234 357 34		
		3P	230	60	1.15		234 317 34	YES	
		3P	230	60	1.15	YES	234 317 52	YES	
		3P	380	60	1.15		234 347 34	YES	
		3P	380	60	1.15	YES	234 347 52	YES	
		3P	460/380	60/50	1.15/1.0		234 327 34	YES	
		3P	460/380	60/50	1.15/1.0	YES	234 327 52	YES	
		3P	575	60	1.15		234 337 34		
	3P	575	60	1.15	YES	234 337 52	YES		
	COALBED METHANE	3P	200	60	1.15	YES	234 307 82		
		3P	230	60	1.15	YES	234 317 82		
		3P	460/380	60/50	1.15/1.0	YES	234 327 82	YES	
		3P	575	60	1.15	YES	234 337 82		
		3P	380	60	1.15	YES	234 347 82		
	SAND FIGHTER	1P	230	60	1.15	YES	224 303 84	YES	
		3P	200	60	1.15	YES	234 307 84		
		3P	230	60	1.15	YES	234 317 84	YES	
		3P	460/380	60/50	1.15/1.0	YES	234 327 84	YES	
		3P	575	60	1.15	YES	234 337 84		
3P		380	60	1.15	YES	234 347 84			
316 SS	1P	230	60	1.15		224 303 74			
	3P	200	60	1.15		234 307 74			
	3P	230	60	1.15		234 317 74			
	3P	460/380	60/50	1.15/1.0		234 327 74	YES		
	3P	575	60	1.15		234 337 74			
OIL STRIPPER	1P	230	60	1.15	YES	224 303 50			
	3P	230	60	1.15	YES	234 317 50			
	3P	460/380	60/50	1.15/1.0	YES	234 327 50			
5.5 Hp 4 kW	WATER WELL	3P	460/380	60/50	1.15/1.0		234 397 34	YES	1500 LBS (6500 N)
		3P	460/380	60/50	1.15/1.0	YES	234 397 52		

4" Submersible Motors High Thrust

4-Inch High Thrust Models

HP (KW)	DESCRIPTION						MODEL	STOCK STATUS	DOWNWARD THRUST RATING
	CONSTRUCTION	PH	VOLTS	HZ	S.F.	LEAD IN MTR			
7.5 Hp 5.5 kW	WATER WELL	3P	200	60	1.15		234 308 34		1500 LBS (6500 N)
		3P	200	60	1.15	YES	234 308 52	YES	
		3P	220	50	1.0		234 358 34		
		3P	230	60	1.15		234 318 34	YES	
		3P	230	60	1.15	YES	234 318 52	YES	
		3P	380	60	1.15		234 348 34	YES	
		3P	380	60	1.15	YES	234 348 52	YES	
		3P	460/380	60/50	1.15/1.0		234 328 34	YES	
		3P	460/380	60/50	1.15/1.0	YES	234 328 52	YES	
		3P	575	60	1.15		234 338 34		
	3P	575	60	1.15	YES	234 338 52	YES		
	COALBED METHANE	3P	200	60	1.15	YES	234 308 82		
		3P	230	60	1.15	YES	234 318 82		
		3P	460/380	60/50	1.15/1.0	YES	234 328 82	YES	
		3P	575	60	1.15	YES	234 338 82		
		3P	380	60	1.15	YES	234 348 82		
	SAND FIGHTER	3P	200	60	1.15	YES	234 308 84		
		3P	230	60	1.15	YES	234 318 84	YES	
		3P	460/380	60/50	1.15/1.0	YES	234 328 84	YES	
		3P	575	60	1.15	YES	234 338 84		
		3P	380	60	1.15	YES	234 348 84		
	316 SS	3P	200	60	1.15		234 308 74		
		3P	230	60	1.15		234 318 74		
		3P	460/380	60/50	1.15/1.0		234 328 74	YES	
3P		575	60	1.15		234 338 74			
OIL STRIPPER	3P	230	60	1.15	YES	234 318 50			
	3P	460/380	60/50	1.15/1.0	YES	234 328 50			
10 Hp 7.5 kW	WATER WELL	3P	380	60	1.15	YES	234 549 34	YES	
		3P	460/380	60/50	1.15/1.0	YES	234 595 34	YES	
		3P	575	60	1.15	YES	234 598 34	YES	
	COALBED METHANE	3P	380	60	1.15	YES	234 549 82		
		3P	460/380	60/50	1.15/1.0	YES	234 595 82	YES	
		3P	575	60	1.15	YES	234 598 82		
	SAND FIGHTER	3P	380	60	1.15	YES	234 549 84		
		3P	460/380	60/50	1.15/1.0	YES	234 595 84	YES	
		3P	575	60	1.15	YES	234 598 84		

4" Submersible Motors Leads



4-Inch Motor Leads And Cables

WIRE	CONSTRUCTION	MATERIAL	JAM NUT MATERIAL	LEAD LENGTH		WIRE SIZE	GROUNDED	MODEL
				IN / FT	M			
2W	INDIVIDUAL	XLPE	303 SS	48IN	1.2	AWG 14	YES	152 552 905
	INDIVIDUAL	XLPE	303 SS	100IN	2.5	AWG 14	YES	152 552 906
	INDIVIDUAL	NITRILE	316 SS	48IN	1.2	AWG 14	NO	152 328 905*
	INDIVIDUAL	NITRILE	316 SS	100IN	2.5	AWG 14	NO	152 328 906*
3W	INDIVIDUAL	XLPE	303 SS	48IN	1.2	AWG 14	YES	152 553 905
	INDIVIDUAL	XLPE	303 SS	100IN	2.5	AWG 14	YES	152 553 906
	INDIVIDUAL	NITRILE	316 SS	48IN	1.2	AWG 14	NO	152 255 901*
	INDIVIDUAL	NITRILE	316 SS	100IN	2.5	AWG 14	NO	152 255 902*
	INDIVIDUAL	NITRILE	316 SS	160IN	4.0	AWG 14	NO	152 255 904*
	INDIVIDUAL	NITRILE	316 SS	30FT	9.1	AWG 14	NO	152 255 906*
	INDIVIDUAL	NITRILE	316 SS	50FT	15.2	AWG 14	NO	152 255 907*
	INDIVIDUAL	NITRILE	316 SS	100FT	30.5	AWG 14	NO	152 255 910*
	INDIVIDUAL	NITRILE	316 SS	150FT	45.7	AWG 14	NO	152 255 912*
	INDIV / DBL CONN	XLPE	303 SS	48IN	1.2	AWG 14	YES	152 570 901
	INDIV / DBL CONN	XLPE	303 SS	100IN	2.5	AWG 14	YES	152 570 902
	FLAT JACKETED	NITRILE	303 SS	48IN	1.2	AWG 14	YES	152 664 901
	FLAT JACKETED	NITRILE	303 SS	100IN	2.5	AWG 14	YES	152 664 902
	FLAT JACKETED	NITRILE	303 SS	12FT	3.6	AWG 14	YES	152 664 904
	FLAT JACKETED	NITRILE	303 SS	28FT	8.5	AWG 14	YES	152 664 905
	FLAT JACKETED	NITRILE	303 SS	50FT	15.2	AWG 14	YES	152 664 906
	FLAT JACKETED	NITRILE	303 SS	75FT	22.9	AWG 14	YES	152 664 907
	FLAT JACKETED	NITRILE	303 SS	100FT	30.5	AWG 14	YES	152 664 908

*Not for use in potable water.

NOTES:

1. Refer to Franklin Application-Installation-Maintenance (AIM) Manual for accurate cable sizing.
2. MOTOR WARRANTY IS VOID if Franklin-supplied leads are not used.

6" Submersible Motors Standard



Applications

These motors are built for dependable operation in 6" diameter or larger water wells.

Basic Features

- Full 3450 RPM, 60 Hz Design Point
- Maximum Temperature Winding Wire NEMA Class 200
- Double Flange Design
- Stainless Steel Splined Shaft
- Hermetically-sealed Stator
- Resin Encapsulated Windings
- Stainless Steel Shell
- Epoxy Coated End Frames
- Filter Check Valve
- Kingsbury-type Water-lubricated Thrust Bearing
- Pressure-equalizing Diaphragm
- 3-Lead & 6-Lead (Wye-delta) Configurations
- Pre-filled with Temperature-resistant Fill Solution
- Sand Fighting Slinger
- Removable Water Bloc™ Lead
- Copper Bar Rotor
- Carbon Ceramic Rotating Face Seal
- Franklin-manufactured Control Boxes Available for Single-Phase Motors
- Worldwide Availability

Special Options

- Sand Fighter Models with special Silicon Carbide based sealing system available for applications with sand or other abrasives.
- 316 SS Construction available. All 316 SS motors include Sand Fighter sealing system and Subtrol Heat Sensor for use with SubMonitor protective devices.
- NiResist Construction available. All NiResist motors include a Sand Fighter sealing system and Subtrol Heat Sensor for use with SubMonitor protective devices.
- SubMonitor Motor Protection — A field proven and contractor friendly premium motor protection system. It protects the motor against overload, underload, overheating, and rapid cycling. The use of SubMonitor can also extend the motor warranty (see SubMonitor literature for details).

NOTE: Motor must be manufactured with Subtrol Heat Sensor.

6" Submersible Motors Standard

Standard 6-Inch Motor Specifications

Hz	Ph	Hp Range	kW Range	Poles	RPM	Max. Ambient Temp.	Duty Rating
60	1	5 - 15	3.7 - 11	2	3450	86°F / 30°C	Continuous at 0.5 ft/sec flow past motor
60	3	5 - 60	3.7 - 45	2	3450	86°F / 30°C	Continuous at 0.5 ft/sec flow past motor
50	1	5 - 15	3.7 - 11	2	2875	86°F / 30°C	Continuous at 0.5 ft/sec flow past motor
50	3	5 - 60	3.7 - 45	2	2875	86°F / 30°C	Continuous at 0.5 ft/sec flow past motor

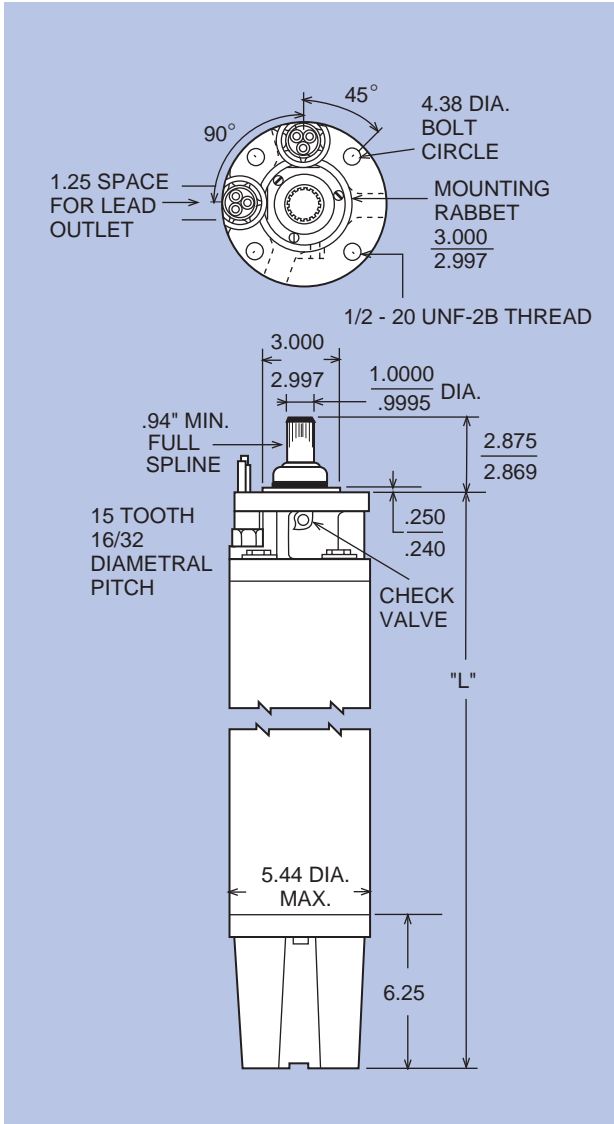
6-Inch Construction Materials

Component	Construction Type			
	Standard Water Well	Sand Fighter™	Ni-Resist	Corrosion Resistant (316 SS)
Castings	Gray Iron	Gray Iron	Ni-Resist Type 1B	316 SS
Stator Shell	301 SS	301 SS	316 SS	316 SS
Stator Ends	Low Carbon Steel	Low Carbon Steel	316 SS	316 SS
Shaft Extension	303 SS (5-30 Hp), 17-4 SS (40-60 Hp)	303 SS (5-30 Hp), 17-4 SS (40-60 Hp)	17-4 SS	17-4 SS
Fasteners	300 & 400 Series SS	300 & 400 Series SS	316 SS	316 SS
Seal Cover	304 SS & Sintered Bronze	304 SS & Sintered Bronze	316 SS	316 SS
Seal	Carbon Ceramic Face	Sand Fighter™ SiC/SiC Seal System	Sand Fighter™ SiC/SiC Seal System	Sand Fighter™ SiC/SiC Seal System
Diaphragm	Nitrile	Nitrile	Nitrile	Nitrile
Diaphragm Plate	304 SS	304 SS	316 SS	316 SS
Diaphragm Spring	302 SS	302 SS	17-7 SS	17-7 SS
Slinger	Nitrile	Nitrile	Type 100 Hydrin	Type 100 Hydrin
Lead Wire (or Cable)	XLPE 125°C	XLPE 125°C	XLPE 125°C	XLPE 125°C
Lead Potting	Epoxy	Epoxy	Epoxy	Epoxy
Filter	Delrin & Polyester	Delrin & Polyester	316 SS Plug	316 SS Plug
Insulation	Class F	Class F	Class F	Class F

Specifications subject to change without notice. Contact Franklin Electric if current material types are required for bid specifications.

6" Submersible Motors Standard

6-Inch Dimensions and Weights



3-Lead Single-phase Motors

HP	KW	"L" (inches)	SHIPPING WEIGHT		MOTOR CARTON SIZE (in inches)
			LBS	KG	
5	3.7	25.4	110	50	7.5 x 10.75 x 34.5
7.5	5.5	28.0	123	56	7.5 x 10.75 x 34.5
10	7.5	30.6	141	64	7.5 x 10.75 x 37
15	11	33.1	154	70	7.5 x 10.75 x 42.25

3-Lead Three-phase Motors

HP	KW	"L" (inches)	SHIPPING WEIGHT		MOTOR CARTON SIZE (in inches)
			LBS	KG	
5	3.7	22.9	101	46	7.5 x 10.75 x 34.5
7.5	5.5	24.2	108	49	7.5 x 10.75 x 34.5
10	7.5	25.4	116	53	7.5 x 10.75 x 34.5
15	11	28.0	129	59	7.5 x 10.75 x 34.5
20	15	30.6	145	66	7.5 x 10.75 x 37
25	18.5	33.1	156	71	7.5 x 10.75 x 42.25
30	22	35.7	174	79	7.5 x 10.75 x 42.25
40	30	40.8	202	92	7.5 x 10.75 x 47.25
50	37	55.3	300	136	8.75 x 10.5 x 71.75
60	45	61.3	330	150	8.75 x 10.5 x 71.75

6-Lead Three-phase Motors

HP	KW	"L" (inches)	SHIPPING WEIGHT		MOTOR CARTON SIZE (in inches)
			LBS	KG	
5	3.7	22.9	103	47	7.5 x 10.75 x 34.5
7.5	5.5	24.2	110	50	7.5 x 10.75 x 34.5
10	7.5	25.4	118	54	7.5 x 10.75 x 34.5
15	11	28.0	131	60	7.5 x 10.75 x 34.5
20	15	30.6	147	67	7.5 x 10.75 x 37
25	18.5	33.1	158	72	7.5 x 10.75 x 42.25
30	22	35.7	176	80	7.5 x 10.75 x 42.25
40	30	40.8	206	94	7.5 x 10.75 x 47.25
50	37	55.3	304	138	8.75 x 10.5 x 71.75
60	45	61.3	334	152	8.75 x 10.5 x 71.75

6" Submersible Motors Standard

6-Inch Models

HP (KW)	CONSTRUCTION	DESCRIPTION							MODEL	STOCK STATUS	DOWN-WARD THRUST RATING
		PH	VOLTS	HZ	SUBTROL HEAT SENSOR	S.F.	# LEADS	WIRE SIZE			
5 Hp 3.7 kW	WATER WELL	1P	230	60	Not Available	1.15	3	AWG 10	226 110 90	YES	1500 LBS (6500 N)
		3P	200	60	YES	1.15	3	AWG 10	236 650 60	YES	
		3P	200	60		1.15	3	AWG 10	236 650 90	YES	
		3P	230	60	YES	1.15	3	AWG 10	236 600 60	YES	
		3P	230	60		1.15	3	AWG 10	236 600 90	YES	
		3P	230	60		1.15	6-90°	AWG 10	236 720 90		
		3P	380	60	YES	1.15	3	AWG 10	236 660 60		
		3P	380	60		1.15	3	AWG 10	236 660 90		
		3P	380	60		1.15	6-90°	AWG 10	236 780 90		
		3P	460/380	60/50	YES	1.15/1.0	3	AWG 10	236 610 60	YES	
		3P	460/380	60/50		1.15/1.0	3	AWG 10	236 610 90	YES	
		3P	460/380	60/50		1.15/1.0	6-90°	AWG 10	236 710 90		
		3P	575	60	YES	1.15	3	AWG 10	236 620 60		
		3P	575	60		1.15	3	AWG 10	236 620 90	YES	
	SAND FIGHTER	1P	230	60	Not Available	1.15	3	AWG 10	226 110 80	YES	1500 LBS (6500 N)
		3P	200	60	YES	1.15	3	AWG 10	236 650 81		
		3P	200	60		1.15	3	AWG 10	236 650 80		
		3P	230	60	YES	1.15	3	AWG 10	236 600 81	YES	
		3P	230	60		1.15	3	AWG 10	236 600 80	YES	
		3P	380	60	YES	1.15	3	AWG 10	236 660 81		
		3P	380	60		1.15	3	AWG 10	236 660 80		
		3P	460/380	60/50	YES	1.15/1.0	3	AWG 10	236 610 81	YES	
		3P	460/380	60/50		1.15/1.0	3	AWG 10	236 610 80	YES	
		3P	460/380	60/50		1.15/1.0	6-90°	AWG 10	236 710 80		
		3P	575	60	YES	1.15	3	AWG 10	236 620 81		
	316 SS	1P	230	60	Not Available	1.15	3	AWG 10	226 110 39		1500 LBS (6500 N)
		3P	200	60	YES	1.15	3	AWG 10	236 650 40		
		3P	230	60	YES	1.15	3	AWG 10	236 600 40		
		3P	380	60	YES	1.15	3	AWG 10	236 660 40		
		3P	460/380	60/50	YES	1.15/1.0	3	AWG 10	236 610 40		
		3P	460/380	60/50	YES	1.15/1.0	6-90°	AWG 10	236 710 40		
		3P	575	60	YES	1.15	3	AWG 10	236 620 40		
	NI-RESIST	1P	230	60	Not Available	1.15	3	AWG 10	226 110 46		1500 LBS (6500 N)
		3P	200	60	YES	1.15	3	AWG 10	236 650 45		
		3P	230	60	YES	1.15	3	AWG 10	236 600 45		
		3P	380	60	YES	1.15	3	AWG 10	236 660 45		
3P		460/380	60/50	YES	1.15/1.0	3	AWG 10	236 610 45			
3P		460/380	60/50	YES	1.15/1.0	6-90°	AWG 10	236 710 45			
3P		575	60	YES	1.15	3	AWG 10	236 620 45			

6" Submersible Motors Standard

6-Inch Models

HP (KW)	CONSTRUCTION	DESCRIPTION							MODEL	STOCK STATUS	DOWN-WARD THRUST RATING
		PH	VOLTS	HZ	SUBTROL HEAT SENSOR	S.F.	# LEADS	WIRE SIZE			
7.5 Hp 5.5 kW	WATER WELL	1P	230	60	Not Available	1.15	3	AWG 10	226 111 90	YES	1500 LBS (6500 N)
		3P	200	60	YES	1.15	3	AWG 10	236 651 60	YES	
		3P	200	60		1.15	3	AWG 10	236 651 90	YES	
		3P	220	50	YES	1.0	3	AWG 10	236 681 60		
		3P	220	50		1.0	3	AWG 10	236 681 90		
		3P	230	60	YES	1.15	3	AWG 10	236 601 60	YES	
		3P	230	60		1.15	3	AWG 10	236 601 90	YES	
		3P	230	60		1.15	6-90°	AWG 10	236 721 90		
		3P	380	60		1.15	3	AWG 10	236 661 90	YES	
		3P	380	60		1.15	6-90°	AWG 10	236 781 90		
		3P	415	50	YES	1.0	3	AWG 10	236 691 60		
		3P	415	50		1.0	3	AWG 10	236 691 90		
		3P	460/380	60/50	YES	1.15/1.0	3	AWG 10	236 611 60	YES	
		3P	460/380	60/50		1.15/1.0	3	AWG 10	236 611 90	YES	
		3P	460/380	60/50		1.15/1.0	6-90°	AWG 10	236 711 90	YES	
		3P	575	60	YES	1.15	3	AWG 10	236 621 60		
	3P	575	60		1.15	3	AWG 10	236 621 90	YES		
	SAND FIGHTER	1P	230	60	Not Available	1.15	3	AWG 10	226 111 80	YES	1500 LBS (6500 N)
		3P	200	60	YES	1.15	3	AWG 10	236 651 81		
		3P	200	60		1.15	3	AWG 10	236 651 80		
		3P	220	50	YES	1.0	3	AWG 10	236 681 81		
		3P	220	50		1.0	3	AWG 10	236 681 80		
		3P	230	60	YES	1.15	3	AWG 10	236 601 81	YES	
		3P	230	60		1.15	3	AWG 10	236 601 80	YES	
		3P	380	60		1.15	3	AWG 10	236 661 80		
		3P	415	50	YES	1.0	3	AWG 10	236 691 81		
		3P	415	50		1.0	3	AWG 10	236 691 80		
		3P	460/380	60/50	YES	1.15/1.0	3	AWG 10	236 611 81	YES	
3P		460/380	60/50		1.15/1.0	3	AWG 10	236 611 80	YES		
3P		460/380	60/50		1.15/1.0	6-90°	AWG 10	236 711 80			
3P		575	60	YES	1.15	3	AWG 10	236 621 81			
3P		575	60		1.15	3	AWG 10	236 621 80			
316 SS		1P	230	60	Not Available	1.15	3	AWG 10	226 111 39		
	3P	200	60	YES	1.15	3	AWG 10	236 651 40			
	3P	230	60	YES	1.15	3	AWG 10	236 601 40			
	3P	380	60	YES	1.15	3	AWG 10	236 661 40			
	3P	460/380	60/50	YES	1.15/1.0	3	AWG 10	236 611 40	YES		
	3P	460/380	60/50	YES	1.15/1.0	6-90°	AWG 10	236 711 40			
	3P	575	60	YES	1.15	3	AWG 10	236 621 40			

6" Submersible Motors Standard

6-Inch Models

HP (KW)	CONSTRUCTION	DESCRIPTION							MODEL	STOCK STATUS	DOWN-WARD THRUST RATING
		PH	VOLTS	HZ	SUBTROL HEAT SENSOR	S.F.	# LEADS	WIRE SIZE			
7.5 Hp 5.5 kW	NI-RESIST	1P	230	60	Not Available	1.15	3	AWG 10	226 111 46		1500 LBS (6500 N)
		3P	200	60	YES	1.15	3	AWG 10	236 651 45		
		3P	230	60	YES	1.15	3	AWG 10	236 601 45		
		3P	380	60	YES	1.15	3	AWG 10	236 661 45		
		3P	460/380	60/50	YES	1.15/1.0	3	AWG 10	236 611 45		
		3P	460/380	60/50	YES	1.15/1.0	6-90°	AWG 10	236 711 45		
		3P	575	60	YES	1.15	3	AWG 10	236 621 45		
10 Hp 7.5 kW	WATER WELL	1P	230	60	Not Available	1.15	3	AWG 10	226 112 90	YES	3500 LBS (15500 N)
		3P	200	60	YES	1.15	3	AWG 10	236 652 60	YES	
		3P	200	60		1.15	3	AWG 10	236 652 90	YES	
		3P	220	50	YES	1.0	3	AWG 10	236 682 60		
		3P	220	50		1.0	3	AWG 10	236 682 90		
		3P	230	60	YES	1.15	3	AWG 10	236 602 60	YES	
		3P	230	60		1.15	3	AWG 10	236 602 90	YES	
		3P	230	60		1.15	6-90°	AWG 10	236 722 90		
		3P	380	60	YES	1.15	3	AWG 10	236 662 60		
		3P	380	60		1.15	3	AWG 10	236 662 90	YES	
		3P	380	60		1.15	6-90°	AWG 10	236 782 90		
		3P	415	50	YES	1.0	3	AWG 10	236 692 60		
		3P	415	50		1.0	3	AWG 10	236 692 90		
		3P	460/380	60/50	YES	1.15/1.0	3	AWG 10	236 612 60	YES	
		3P	460/380	60/50		1.15/1.0	3	AWG 10	236 612 90	YES	
		3P	460/380	60/50		1.15/1.0	6-90°	AWG 10	236 712 90	YES	
		3P	575	60	YES	1.15	3	AWG 10	236 622 60		
3P	575	60		1.15	3	AWG 10	236 622 90	YES			
SAND FIGHTER	SAND FIGHTER	1P	230	60	Not Available	1.15	3	AWG 10	226 112 80	YES	3500 LBS (15500 N)
		3P	200	60	YES	1.15	3	AWG 10	236 652 81		
		3P	200	60		1.15	3	AWG 10	236 652 80		
		3P	220	50	YES	1.0	3	AWG 10	236 682 81		
		3P	220	50		1.0	3	AWG 10	236 682 80		
		3P	230	60	YES	1.15	3	AWG 10	236 602 81	YES	
		3P	230	60		1.15	3	AWG 10	236 602 80	YES	
		3P	380	60	YES	1.15	3	AWG 10	236 662 81		
		3P	380	60		1.15	3	AWG 10	236 662 80		
		3P	415	50	YES	1.0	3	AWG 10	236 692 81		
		3P	415	50		1.0	3	AWG 10	236 692 80		
		3P	460/380	60/50	YES	1.15/1.0	3	AWG 10	236 612 81	YES	
		3P	460/380	60/50		1.15/1.0	3	AWG 10	236 612 80	YES	
		3P	460/380	60/50		1.15/1.0	6-90°	AWG 10	236 712 80		
		3P	575	60	YES	1.15	3	AWG 10	236 622 81		
		3P	575	60		1.15	3	AWG 10	236 622 80		

6" Submersible Motors Standard

6-Inch Models

HP (KW)	CONSTRUCTION	DESCRIPTION							MODEL	STOCK STATUS	DOWN- WARD THRUST RATING
		PH	VOLTS	HZ	SUBTROL HEAT SENSOR	S.F.	# LEADS	WIRE SIZE			
10 Hp 7.5 kW	316 SS	1P	230	60	Not Available	1.15	3	AWG 10	226 112 39		3500 LBS (15500 N)
		3P	200	60	YES	1.15	3	AWG 10	236 652 40		
		3P	230	60	YES	1.15	3	AWG 10	236 602 40		
		3P	380	60	YES	1.15	3	AWG 10	236 662 40		
		3P	460/380	60/50	YES	1.15/1.0	3	AWG 10	236 612 40	YES	
		3P	460/380	60/50	YES	1.15/1.0	6-90°	AWG 10	236 712 40		
		3P	575	60	YES	1.15	3	AWG 10	236 622 40		
	NI-RESIST	1P	230	60	Not Available	1.15	3	AWG 10	226 112 46		3500 LBS (15500 N)
		3P	200	60	YES	1.15	3	AWG 10	236 652 45		
		3P	230	60	YES	1.15	3	AWG 10	236 602 45		
		3P	380	60	YES	1.15	3	AWG 10	236 662 45		
		3P	460/380	60/50	YES	1.15/1.0	3	AWG 10	236 612 45		
		3P	460/380	60/50	YES	1.15/1.0	6-90°	AWG 10	236 712 45		
		3P	575	60	YES	1.15	3	AWG 10	236 622 45		

6" Submersible Motors Standard

6-Inch Models

HP (KW)	CONSTRUCTION	DESCRIPTION							MODEL	STOCK STATUS	DOWN- WARD THRUST RATING	
		PH	VOLTS	HZ	SUBTROL HEAT SENSOR	S.F.	# LEADS	WIRE SIZE				
15 Hp 11 kW	WATER WELL	1P	230	60	Not Available	1.15	3	AWG 10	226 113 90	YES	3500 LBS (15500 N)	
		3P	200	60	YES	1.15	3	AWG 10	236 653 60	YES		
		3P	200	60		1.15	3	AWG 10	236 653 90	YES		
		3P	200	60		1.15	6-90°	AWG 10	236 763 90			
		3P	220	50	YES	1.0	3	AWG 10	236 683 60			
		3P	220	50		1.0	3	AWG 10	236 683 90			
		3P	230	60	YES	1.15	3	AWG 10	236 603 60	YES		
		3P	230	60		1.15	3	AWG 10	236 603 90	YES		
		3P	230	60		1.15	6-90°	AWG 10	236 723 90	YES		
		3P	380	60		1.15	3	AWG 10	236 663 90	YES		
		3P	380	60		1.15	6-90°	AWG 10	236 783 90			
		3P	415	50	YES	1.0	3	AWG 10	236 693 60			
		3P	415	50		1.0	3	AWG 10	236 693 90			
		3P	460/380	60/50	YES	1.15/1.0	3	AWG 10	236 613 60	YES		
		3P	460/380	60/50		1.15/1.0	3	AWG 10	236 613 90	YES		
		3P	460/380	60/50		1.15/1.0	6	AWG 10	236 713 90	YES		
		3P	575	60	YES	1.15	3	AWG 10	236 623 60	YES		
		3P	575	60		1.15	3	AWG 10	236 623 90	YES		
		SAND FIGHTER	1P	230	60	Not Available	1.15	3	AWG 10	226 113 80	YES	3500 LBS (15500 N)
			3P	200	60	YES	1.15	3	AWG 10	236 653 81		
			3P	200	60		1.15	3	AWG 10	236 653 80		
			3P	220	50	YES	1.0	3	AWG 10	236 683 81		
			3P	220	50		1.0	3	AWG 10	236 683 80		
			3P	230	60	YES	1.15	3	AWG 10	236 603 81	YES	
			3P	230	60		1.15	3	AWG 10	236 603 80	YES	
			3P	380	60		1.15	3	AWG 10	236 663 80		
	3P		415	50	YES	1.0	3	AWG 10	236 693 81			
	3P		415	50		1.0	3	AWG 10	236 693 80			
	3P		460/380	60/50	YES	1.15/1.0	3	AWG 10	236 613 81	YES		
	3P		460/380	60/50		1.15/1.0	3	AWG 10	236 613 80	YES		
	3P		460/380	60/50		1.15/1.0	6-90°	AWG 10	236 713 80			
	3P		575	60	YES	1.15	3	AWG 10	236 623 81			
	3P	575	60		1.15	3	AWG 10	236 623 80				

6" Submersible Motors Standard

6-Inch Models

HP (KW)	CONSTRUCTION	DESCRIPTION							MODEL	STOCK STATUS	DOWN- WARD THRUST RATING
		PH	VOLTS	HZ	SUBTROL HEAT SENSOR	S.F.	# LEADS	WIRE SIZE			
15 Hp 11 kW	316 SS	1P	230	60	Not Available	1.15	3	AWG 10	226 113 39		3500 LBS (15500 N)
		3P	200	60	YES	1.15	3	AWG 10	236 653 40		
		3P	230	60	YES	1.15	3	AWG 10	236 603 40		
		3P	380	60	YES	1.15	3	AWG 10	236 663 40		
		3P	460/380	60/50	YES	1.15/1.0	3	AWG 10	236 613 40	YES	
		3P	460/380	60/50	YES	1.15/1.0	6-90°	AWG 10	236 713 40		
		3P	575	60	YES	1.15	3	AWG 10	236 623 40		
	NI-RESIST	1P	230	60	Not Available	1.15	3	AWG 10	226 113 46		3500 LBS (15500 N)
		3P	200	60	YES	1.15	3	AWG 10	236 653 45		
		3P	230	60	YES	1.15	3	AWG 10	236 603 45		
		3P	380	60	YES	1.15	3	AWG 10	236 663 45		
		3P	460/380	60/50	YES	1.15/1.0	3	AWG 10	236 613 45		
		3P	460/380	60/50	YES	1.15/1.0	6-90°	AWG 10	236 713 45		
		3P	575	60	YES	1.15	3	AWG 10	236 623 45		

6" Submersible Motors Standard

6-Inch Models

HP (KW)	CONSTRUCTION	DESCRIPTION							MODEL	STOCK STATUS	DOWN-WARD THRUST RATING
		PH	VOLTS	HZ	SUBTROL HEAT SENSOR	S.F.	# LEADS	WIRE SIZE			
20 Hp 15 kW	WATER WELL	3P	200	60	YES	1.15	3	AWG 10	236 654 60	YES	3500 LBS (15500 N)
		3P	200	60		1.15	3	AWG 10	236 654 90	YES	
		3P	200	60		1.15	6-90°	AWG 10	236 764 90		
		3P	220	50	YES	1.0	3	AWG 10	236 684 60		
		3P	220	50		1.0	3	AWG 10	236 684 90		
		3P	230	60	YES	1.15	3	AWG 10	236 604 60	YES	
		3P	230	60		1.15	3	AWG 10	236 604 90	YES	
		3P	230	60		1.15	6-90°	AWG 10	236 724 90	YES	
		3P	380	60		1.15	3	AWG 10	236 664 90	YES	
		3P	380	60		1.15	6-90°	AWG 10	236 784 90		
		3P	415	50	YES	1.0	3	AWG 10	236 694 60		
		3P	415	50		1.0	3	AWG 10	236 694 90		
		3P	460/380	60/50	YES	1.15/1.0	3	AWG 10	236 614 60	YES	
		3P	460/380	60/50		1.15/1.0	3	AWG 10	236 614 90	YES	
		3P	460/380	60/50		1.15/1.0	6-90°	AWG 10	236 714 90	YES	
		3P	575	60	YES	1.15	3	AWG 10	236 624 60	YES	
	3P	575	60		1.15	3	AWG 10	236 624 90	YES		
	SAND FIGHTER	3P	200	60	YES	1.15	3	AWG 8	236 654 81		3500 LBS (15500 N)
		3P	200	60		1.15	3	AWG 8	236 654 80		
		3P	220	50	YES	1.0	3	AWG 8	236 684 81		
		3P	220	50		1.0	3	AWG 8	236 684 80		
		3P	230	60	YES	1.15	3	AWG 8	236 604 81	YES	
		3P	230	60		1.15	3	AWG 8	236 604 80	YES	
		3P	380	60		1.15	3	AWG 10	236 664 80		
		3P	415	50	YES	1.0	3	AWG 10	236 694 81		
		3P	415	50		1.0	3	AWG 10	236 694 80		
		3P	460/380	60/50	YES	1.15/1.0	3	AWG 10	236 614 81	YES	
		3P	460/380	60/50		1.15/1.0	3	AWG 10	236 614 80	YES	
3P		460/380	60/50		1.15/1.0	6-90°	AWG 10	236 714 80			
316 SS	3P	200	60	YES	1.15	3	AWG 8	236 654 40		3500 LBS (15500 N)	
	3P	230	60	YES	1.15	3	AWG 8	236 604 40			
	3P	380	60	YES	1.15	3	AWG 10	236 664 40			
	3P	460/380	60/50	YES	1.15/1.0	3	AWG 10	236 614 40	YES		
	3P	460/380	60/50	YES	1.15/1.0	6-90°	AWG 10	236 714 40			
	3P	575	60	YES	1.15	3	AWG 10	236 624 40			
NI-RESIST	3P	200	60	YES	1.15	3	AWG 8	236 654 45	YES	3500 LBS (15500 N)	
	3P	230	60	YES	1.15	3	AWG 8	236 604 45			
	3P	380	60	YES	1.15	3	AWG 10	236 664 45			
	3P	460/380	60/50	YES	1.15/1.0	3	AWG 10	236 614 45			
	3P	460/380	60/50	YES	1.15/1.0	6-90°	AWG 10	236 714 45			
	3P	575	60	YES	1.15	3	AWG 10	236 624 45			

6" Submersible Motors Standard

6-Inch Models

HP (KW)	CONSTRUCTION	DESCRIPTION							MODEL	STOCK STATUS	DOWN-WARD THRUST RATING	
		PH	VOLTS	HZ	SUBTROL HEAT SENSOR	S.F.	# LEADS	WIRE SIZE				
25 Hp 18.5 kW	WATER WELL	3P	200	60	YES	1.15	3	AWG 10	236 655 60	YES	3500 LBS (15500 N)	
		3P	200	60		1.15	3	AWG 10	236 655 90	YES		
		3P	200	60		1.15	6-90°	AWG 10	236 765 90			
		3P	220	50	YES	1.0	3	AWG 10	236 685 60			
		3P	220	50		1.0	3	AWG 10	236 685 90			
		3P	230	60	YES	1.15	3	AWG 10	236 605 60	YES		
		3P	230	60		1.15	3	AWG 10	236 605 90	YES		
		3P	230	60		1.15	6-90°	AWG 10	236 725 90	YES		
		3P	380	60		1.15	3	AWG 10	236 665 90	YES		
		3P	380	60		1.15	6-90°	AWG 10	236 785 90			
		3P	415	50	YES	1.0	3	AWG 10	236 695 60			
		3P	415	50		1.0	3	AWG 10	236 695 90			
		3P	460/380	60/50	YES	1.15/1.0	3	AWG 10	236 615 60	YES		
		3P	460/380	60/50		1.15/1.0	3	AWG 10	236 615 90	YES		
		3P	460/380	60/50		1.15/1.0	6-90°	AWG 10	236 715 90	YES		
		3P	575	60	YES	1.15	3	AWG 10	236 625 60	YES		
	3P	575	60		1.15	3	AWG 10	236 625 90	YES			
		SAND FIGHTER	3P	200	60	YES	1.15	3	AWG 8	236 655 81		3500 LBS (15500 N)
			3P	200	60		1.15	3	AWG 8	236 655 80		
			3P	220	50	YES	1.0	3	AWG 8	236 685 81		
			3P	220	50		1.0	3	AWG 8	236 685 80		
			3P	230	60	YES	1.15	3	AWG 8	236 605 81	YES	
			3P	230	60		1.15	3	AWG 8	236 605 80	YES	
			3P	380	60		1.15	3	AWG 10	236 665 80		
			3P	415	50	YES	1.0	3	AWG 10	236 695 81		
			3P	415	50		1.0	3	AWG 10	236 695 80		
			3P	460/380	60/50	YES	1.15/1.0	3	AWG 10	236 615 81	YES	
			3P	460/380	60/50		1.15/1.0	3	AWG 10	236 615 80	YES	
			3P	460/380	60/50		1.15/1.0	6-90°	AWG 10	236 715 80		
		3P	575	60	YES	1.15	3	AWG 10	236 625 81			
	3P	575	60		1.15	3	AWG 10	236 625 80				
	316 SS	3P	200	60	YES	1.15	3	AWG 8	236 655 40		3500 LBS (15500 N)	
		3P	230	60	YES	1.15	3	AWG 8	236 605 40			
		3P	380	60	YES	1.15	3	AWG 10	236 665 40			
		3P	460/380	60/50	YES	1.15/1.0	3	AWG 10	236 615 40	YES		
		3P	460/380	60/50	YES	1.15/1.0	6-90°	AWG 10	236 715 40			
	3P	575	60	YES	1.15	3	AWG 10	236 625 40				
	NI-RESIST	3P	200	60	YES	1.15	3	AWG 8	236 655 45		3500 LBS (15500 N)	
		3P	230	60	YES	1.15	3	AWG 8	236 605 45			
		3P	380	60	YES	1.15	3	AWG 10	236 665 45			
		3P	460/380	60/50	YES	1.15/1.0	3	AWG 10	236 615 45			
		3P	460/380	60/50	YES	1.15/1.0	6-90°	AWG 10	236 715 45			
	3P	575	60	YES	1.15	3	AWG 10	236 625 45				

6" Submersible Motors Standard

6-Inch Models

HP (KW)	CONSTRUCTION	DESCRIPTION							MODEL	STOCK STATUS	DOWN-WARD THRUST RATING
		PH	VOLTS	HZ	SUBTROL HEAT SENSOR	S.F.	# LEADS	WIRE SIZE			
30 Hp 22 kW	WATER WELL	3P	200	60	YES	1.15	3	AWG 10	236 656 60	YES	3500 LBS (15500 N)
		3P	200	60		1.15	3	AWG 10	236 656 90	YES	
		3P	200	60		1.15	6-90°	AWG 10	236 766 90		
		3P	220	50	YES	1.0	3	AWG 10	236 686 60		
		3P	220	50		1.0	3	AWG 10	236 686 90		
		3P	230	60	YES	1.15	3	AWG 10	236 606 60	YES	
		3P	230	60		1.15	3	AWG 10	236 606 90	YES	
		3P	230	60		1.15	6-90°	AWG 10	236 726 90	YES	
		3P	380	60		1.15	3	AWG 10	236 666 90	YES	
		3P	380	60		1.15	6-90°	AWG 10	236 786 90		
		3P	415	50	YES	1.0	3	AWG 10	236 696 60		
		3P	415	50		1.0	3	AWG 10	236 696 90		
		3P	460/380	60/50	YES	1.15/1.0	3	AWG 10	236 616 60	YES	
		3P	460/380	60/50		1.15/1.0	3	AWG 10	236 616 90	YES	
		3P	460/380	60/50		1.15/1.0	6-90°	AWG 10	236 716 90	YES	
		3P	575	60	YES	1.15	3	AWG 10	236 626 60	YES	
	3P	575	60		1.15	3	AWG 10	236 626 90	YES		
	SAND FIGHTER	3P	200	60	YES	1.15	3	AWG 8	236 656 81		3500 LBS (15500 N)
		3P	200	60		1.15	3	AWG 8	236 656 80		
		3P	220	50	YES	1.0	3	AWG 8	236 686 81		
		3P	220	50		1.0	3	AWG 8	236 686 80		
		3P	230	60	YES	1.15	3	AWG 8	236 606 81	YES	
		3P	230	60		1.15	3	AWG 8	236 606 80	YES	
		3P	380	60		1.15	3	AWG 10	236 666 80		
		3P	415	50	YES	1.0	3	AWG 10	236 696 81		
		3P	415	50		1.0	3	AWG 10	236 696 80		
		3P	460/380	60/50	YES	1.15/1.0	3	AWG 10	236 616 81	YES	
		3P	460/380	60/50		1.15/1.0	3	AWG 10	236 616 80	YES	
3P		460/380	60/50		1.15/1.0	6-90°	AWG 10	236 716 80			
316 SS	3P	200	60	YES	1.15	3	AWG 8	236 656 40		3500 LBS (15500 N)	
	3P	230	60	YES	1.15	3	AWG 8	236 606 40			
	3P	380	60	YES	1.15	3	AWG 10	236 666 40			
	3P	460/380	60/50	YES	1.15/1.0	3	AWG 10	236 616 40	YES		
	3P	460/380	60/50	YES	1.15/1.0	6-90°	AWG 10	236 716 40			
	3P	575	60	YES	1.15	3	AWG 10	236 626 40			
NI-RESIST	3P	200	60	YES	1.15	3	AWG 8	236 656 45		3500 LBS (15500 N)	
	3P	230	60	YES	1.15	3	AWG 8	236 606 45			
	3P	380	60	YES	1.15	3	AWG 10	236 666 45			
	3P	460/380	60/50	YES	1.15/1.0	3	AWG 10	236 616 45			
	3P	460/380	60/50	YES	1.15/1.0	6-90°	AWG 10	236 716 45			
	3P	575	60	YES	1.15	3	AWG 10	236 626 45			

6" Submersible Motors Standard

6-Inch Models

HP (KW)	CONSTRUCTION	DESCRIPTION							MODEL	STOCK STATUS	DOWN-WARD THRUST RATING
		PH	VOLTS	HZ	SUBTROL HEAT SENSOR	S.F.	# LEADS	WIRE SIZE			
40 Hp 30 kW	WATER WELL	3P	200	60	YES	1.15	6-90°	AWG 8	236 767 60		6000 LBS (27500 N)
		3P	230	60	YES	1.15	6-90°	AWG 8	236 727 60	YES	
		3P	380	60	YES	1.15	3	AWG 8	236 667 60	YES	
		3P	380	60	YES	1.15	6-90°	AWG 10	236 787 60		
		3P	415	50	YES	1.0	3	AWG 8	236 697 60		
		3P	460/380	60/50	YES	1.15/1.0	3	AWG 8	236 617 60	YES	
		3P	460/380	60/50	YES	1.15/1.0	6-90°	AWG 10	236 717 60	YES	
		3P	575	60	YES	1.15	3	AWG 8	236 627 60	YES	
	SAND FIGHTER	3P	380	60	YES	1.15	3	AWG 8	236 667 81		6000 LBS (27500 N)
		3P	415	50	YES	1.0	3	AWG 8	236 697 81		
		3P	460/380	60/50	YES	1.15/1.0	3	AWG 8	236 617 81	YES	
		3P	460/380	60/50	YES	1.15/1.0	6-90°	AWG 8	236 717 81		
		3P	575	60	YES	1.15	3	AWG 8	236 627 81		
	316 SS	3P	380	60	YES	1.15	3	AWG 8	236 667 40		6000 LBS (27500 N)
		3P	460/380	60/50	YES	1.15/1.0	3	AWG 8	236 617 40	YES	
		3P	460/380	60/50	YES	1.15/1.0	6-90°	AWG 8	236 717 40		
		3P	575	60	YES	1.15	3	AWG 8	236 627 40		
	NI-RESIST	3P	380	60	YES	1.15	3	AWG 8	236 667 45		6000 LBS (27500 N)
		3P	460/380	60/50	YES	1.15/1.0	3	AWG 8	236 617 45		
		3P	460/380	60/50	YES	1.15/1.0	6-90°	AWG 8	236 717 45		
3P		575	60	YES	1.15	3	AWG 8	236 627 45			
50 Hp 30 kW	WATER WELL	3P	200	60	YES	1.15	6-90°	AWG 8	236 768 60		6000 LBS (27500 N)
		3P	230	60	YES	1.15	6-90°	AWG 8	236 728 60	YES	
		3P	380	60	YES	1.15	3	AWG 8	236 668 60	YES	
		3P	380	60	YES	1.15	6-90°	AWG 10	236 788 60		
		3P	415	50	YES	1.0	3	AWG 8	236 698 60		
		3P	460/380	60/50	YES	1.15/1.0	3	AWG 8	236 618 60	YES	
		3P	460/380	60/50	YES	1.15/1.0	6-90°	AWG 10	236 718 60	YES	
		3P	575	60	YES	1.15	3	AWG 8	236 628 60	YES	
	SAND FIGHTER	3P	380	60	YES	1.15	3	AWG 8	236 668 81		6000 LBS (27500 N)
		3P	415	50	YES	1.0	3	AWG 8	236 698 81		
		3P	460/380	60/50	YES	1.15/1.0	3	AWG 8	236 618 81	YES	
		3P	460/380	60/50	YES	1.15/1.0	6-90°	AWG 8	236 718 81		
		3P	575	60	YES	1.15	3	AWG 8	236 628 81		
	316 SS	3P	380	60	YES	1.15	3	AWG 8	236 668 40		6000 LBS (27500 N)
		3P	460/380	60/50	YES	1.15/1.0	3	AWG 8	236 618 40	YES	
		3P	460/380	60/50	YES	1.15/1.0	6-90°	AWG 8	236 718 40		
		3P	575	60	YES	1.15	3	AWG 8	236 628 40		
	NI-RESIST	3P	380	60	YES	1.15	3	AWG 8	236 668 45		6000 LBS (27500 N)
		3P	460/380	60/50	YES	1.15/1.0	3	AWG 8	236 618 45		
		3P	460/380	60/50	YES	1.15/1.0	6-90°	AWG 8	236 718 45		
3P		575	60	YES	1.15	3	AWG 8	236 628 45			

6" Submersible Motors Standard

6-Inch Models

HP (KW)	CONSTRUCTION	DESCRIPTION							MODEL	STOCK STATUS	DOWN-WARD THRUST RATING
		PH	VOLTS	HZ	SUBTROL HEAT SENSOR	S.F.	# LEADS	WIRE SIZE			
60 Hp 45 kW	WATER WELL	3P	230	60	YES	1.15	6-90°	AWG 8	236 729 60	YES	6000 LBS (27500 N)
		3P	380	60	YES	1.15	3	AWG 8	236 669 60	YES	
		3P	380	60	YES	1.15	6-90°	AWG 8	236 789 60		
		3P	415	50	YES	1.0	3	AWG 8	236 699 60		
		3P	460/380	60/50	YES	1.15/1.0	3	AWG 8	236 619 60	YES	
		3P	460/380	60/50	YES	1.15/1.0	6-90°	AWG 8	236 719 60	YES	
		3P	575	60	YES	1.15	3	AWG 8	236 629 60	YES	
	SAND FIGHTER	3P	380	60	YES	1.15	3	AWG 8	236 669 81		6000 LBS (27500 N)
		3P	415	50	YES	1.0	3	AWG 8	236 699 81		
		3P	460/380	60/50	YES	1.15/1.0	3	AWG 8	236 619 81	YES	
		3P	460/380	60/50	YES	1.15/1.0	6-90°	AWG 8	236 719 81		
		3P	575	60	YES	1.15	3	AWG 8	236 629 81		
	316 SS	3P	380	60	YES	1.15	3	AWG 8	236 669 40		6000 LBS (27500 N)
		3P	460/380	60/50	YES	1.15/1.0	3	AWG 8	236 619 40	YES	
		3P	460/380	60/50	YES	1.15/1.0	6-90°	AWG 8	236 719 40		
		3P	575	60	YES	1.15	3	AWG 8	236 629 40		
	NI-RESIST	3P	380	60	YES	1.15	3	AWG 8	236 669 45		6000 LBS (27500 N)
		3P	460/380	60/50	YES	1.15/1.0	3	AWG 8	236 619 45		
		3P	460/380	60/50	YES	1.15/1.0	6-90°	AWG 8	236 719 45		
		3P	575	60	YES	1.15	3	AWG 8	236 629 45		

NOTES:

1. Models designated above as Sand Sighter are water well construction.
2. All 316 SS and Ni-Resist models are equipped with Sand Fighter sealing system.
3. All models listed above include factory-installed leads (13 ft).

6" Submersible Motors Hi-Temp 90



Applications

These motors are built for dependable operation in 6" diameter or larger wells, in applications with higher temperature, higher thrust or low flow.

Basic Features

- Up to 194°F (90°C) Ambient Temperature
- 25% Increase in Upthrust Capability at 30°C
- 25% Increase in Downthrust Capability at 30°C
- Wet Well, Reservoir, Low Flow Approved in 12" Diameter or Larger Wells with Ambient Water up to 86°F (30°C)
- High Temperature Leads
- Hermetically-sealed Stator
- Innovative High Temperature Winding Encapsulation System
- FE Water Soluble, High Temperature Bearing Lubrication
- Double-flange NEMA Mounting for Ease of Handling and Pump Mounting
- Stainless Steel Splined Shaft for Maximum Shaft/Coupling Contact
- Full 3450 RPM 60 Hz Design Point for Superior Pump Performance
- Sand Fighter Sealing System
- Franklin Electric's Exclusive Water Bloc Lead Connection
- 316 SS and Wye-delta Designs Available – Consult Factory

6-Inch Three-phase Hi-Temp 90 Motor Specifications

Hz	Hp Range	kW Range	Poles	RPM	Max. Ambient Temp.	Duty Rating
60	5 - 40	3.7 - 30	2	3450	195°F / 90°C	Continuous at 0.5 ft/sec flow past motor*
50	5 - 40	3.7 - 30	2	2875	195°F / 90°C	Continuous at 0.5 ft/sec flow past motor*

*Motors are also rated for continuous duty in 86°F (30°C) maximum water temperature with NO FLOW in lakes or 12" diameter or larger wells.

6" Submersible Motors Hi-Temp 90

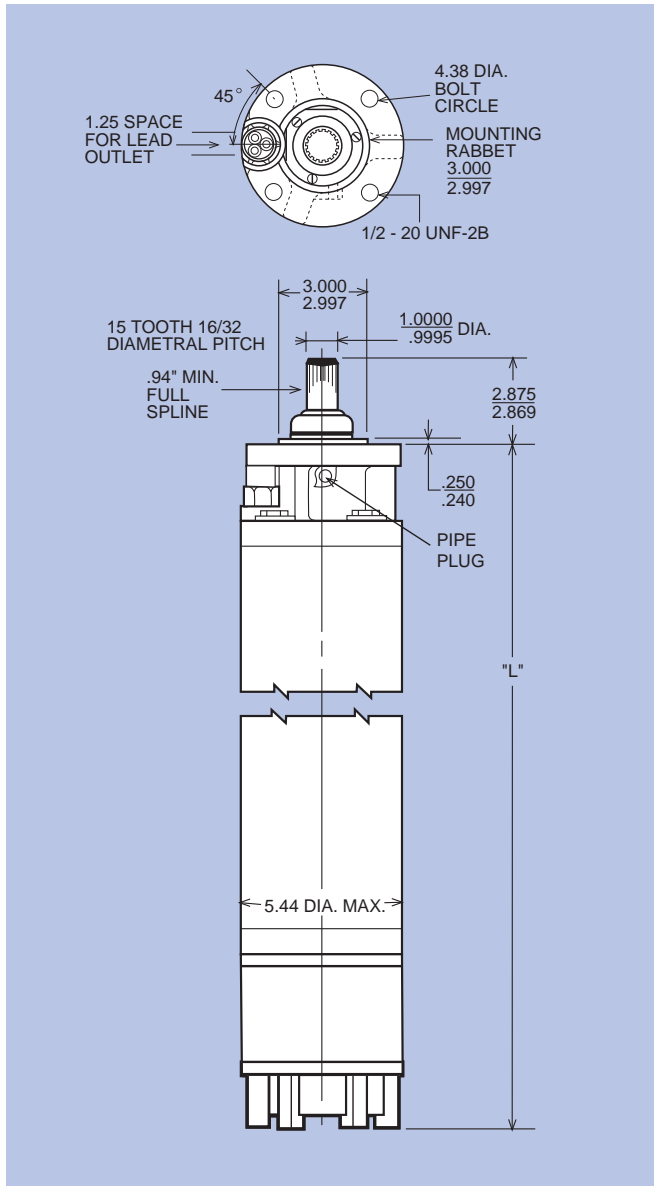
6-Inch Hi-Temp 90 Construction Materials

Component	Construction Type	
	Standard Water Well	Corrosion Resistant (316 SS)
Castings	Gray Iron	316 SS
Stator Shell	301 SS	316 SS
Stator Ends	Low Carbon Steel	316 SS
Shaft Extension	303 SS (5-20 Hp), 17-4 SS (25-40 Hp)	17-4 SS
Fasteners	300 & 400 Series SS	316 SS
Seal Cover	304 SS & Sintered Bronze	316 SS
Seal	Sand Fighter™ Sealing System	Sand Fighter™ Sealing System
Diaphragm	Nitrile	Nitrile
Diaphragm Plate	304 SS	316 SS
Diaphragm Spring	302 SS	17-7 SS
Slinger	Nitrile	Nitrile
Lead Wire (or Cable)	XLPO 135°C	XLPO 135°C
Lead Potting	Epoxy	Epoxy
Pipe Plug	316 SS	316 SS
Insulation	Class F	Class F

Specifications subject to change without notice. Contact Franklin Electric if current material types are required for bid specifications.

6" Submersible Motors Hi-Temp 90

6-Inch Hi-Temp 90 Dimensions and Weights



3-Lead Three-phase Motors

HP	KW	"L" (inches)	SHIPPING WEIGHT		MOTOR CARTON SIZE (in inches)
			LBS	KG	
5	3.7	29.6	116	53	7.5 x 10.75 x 34.5
7.5	5.5	28.2	129	59	7.5 x 10.75 x 34.5
10	7.5	30.7	145	66	7.5 x 10.75 x 37
15	11	33.3	156	71	7.5 x 10.75 x 42.25
20	15	35.8	174	79	7.5 x 10.75 x 42.25
25	18.5	41.0	202	92	7.5 x 10.75 x 47.25
30	22	55.5	300	136	8.75 x 10.5 x 71.75
40	30	61.5	330	150	8.75 x 10.5 x 71.75

6-Lead Three-phase Motors

HP	KW	"L" (inches)	SHIPPING WEIGHT		MOTOR CARTON SIZE (in inches)
			LBS	KG	
5	3.7	29.6	120	55	7.5 x 10.75 x 34.5
7.5	5.5	28.2	133	61	7.5 x 10.75 x 34.5
10	7.5	30.7	149	68	7.5 x 10.75 x 37
15	11	33.3	160	73	7.5 x 10.75 x 42.25
20	15	35.8	178	81	7.5 x 10.75 x 42.25
25	18.5	41.0	206	94	7.5 x 10.75 x 47.25
30	22	55.5	304	138	8.75 x 10.5 x 71.75
40	30	61.5	334	152	8.75 x 10.5 x 71.75

6" Submersible Motors Hi-Temp 90

Hi-Temp 90 6-Inch Models

HP (KW)	CONSTRUCTION	DESCRIPTION						MODEL	STOCK STATUS	DOWNWARD THRUST RATING
		PH	VOLTS	HZ	S.F.	# LEADS	WIRE SIZE (AWG)			
5 Hp 3.7 kW	WATER WELL	3P	200	60	1.15	3	8 W/GND	276 650 00		4500 LBS (20000 N)
		3P	230	60	1.15	3	8 W/GND	276 600 00		
		3P	380	60	1.15	3	8 W/GND	276 660 00		
		3P	460/380	60/50	1.15/1.0	3	8 W/GND	276 610 00		
		3P	460/380	60/50	1.15/1.0	6-90°	8 W/GND	276 630 00		
		3P	575	60	1.15	3	8 W/GND	276 620 00		
	316 SS	3P	200	60	1.15	3	8 W/GND	276 650 30		4500 LBS (20000 N)
		3P	230	60	1.15	3	8 W/GND	276 600 30		
		3P	380	60	1.15	3	8 W/GND	276 660 30		
		3P	460/380	60/50	1.15/1.0	3	8 W/GND	276 610 30		
3P		575	60	1.15	3	8 W/GND	276 620 30			
7.5 Hp 5.5 kW	WATER WELL	3P	200	60	1.15	3	8 W/GND	276 651 00		4500 LBS (20000 N)
		3P	230	60	1.15	3	8 W/GND	276 601 00		
		3P	380	60	1.15	3	8 W/GND	276 661 00		
		3P	460/380	60/50	1.15/1.0	3	8 W/GND	276 611 00		
		3P	460/380	60/50	1.15/1.0	6-90°	8 W/GND	276 631 00		
		3P	575	60	1.15	3	8 W/GND	276 621 00		
	316 SS	3P	200	60	1.15	3	8 W/GND	276 651 30		4500 LBS (20000 N)
		3P	230	60	1.15	3	8 W/GND	276 601 30		
		3P	380	60	1.15	3	8 W/GND	276 661 30		
		3P	460/380	60/50	1.15/1.0	3	8 W/GND	276 611 30		
3P		575	60	1.15	3	8 W/GND	276 621 30			
10 Hp 7.5 kW	WATER WELL	3P	200	60	1.15	3	8 W/GND	276 652 00		4500 LBS (20000 N)
		3P	230	60	1.15	3	8 W/GND	276 602 00		
		3P	380	60	1.15	3	8 W/GND	276 662 00		
		3P	460/380	60/50	1.15/1.0	3	8 W/GND	276 612 00		
		3P	460/380	60/50	1.15/1.0	6-90°	8 W/GND	276 632 00		
		3P	575	60	1.15	3	8 W/GND	276 622 00		
	316 SS	3P	200	60	1.15	3	8 W/GND	276 652 30		4500 LBS (20000 N)
		3P	230	60	1.15	3	8 W/GND	276 602 30		
		3P	380	60	1.15	3	8 W/GND	276 662 30		
		3P	460/380	60/50	1.15/1.0	3	8 W/GND	276 612 30		
3P		575	60	1.15	3	8 W/GND	276 622 30			

6" Submersible Motors Hi-Temp 90

Hi-Temp 90 6-Inch Models

HP (KW)	CONSTRUCTION	DESCRIPTION						MODEL	STOCK STATUS	DOWNWARD THRUST RATING
		PH	VOLTS	HZ	S.F.	# LEADS	WIRE SIZE (AWG)			
15 Hp 11 kW	WATER WELL	3P	200	60	1.15	3	8 W/GND	276 653 00		4500 LBS (20000 N)
		3P	230	60	1.15	3	8 W/GND	276 603 00		
		3P	380	60	1.15	3	8 W/GND	276 663 00		
		3P	460/380	60/50	1.15/1.0	3	8 W/GND	276 613 00		
		3P	460/380	60/50	1.15/1.0	6-90°	8 W/GND	276 633 00		
		3P	575	60	1.15	3	8 W/GND	276 623 00		
	316 SS	3P	200	60	1.15	3	8 W/GND	276 653 30		4500 LBS (20000 N)
		3P	230	60	1.15	3	8 W/GND	276 603 30		
		3P	380	60	1.15	3	8 W/GND	276 663 30		
		3P	460/380	60/50	1.15/1.0	3	8 W/GND	276 613 30		
3P		575	60	1.15	3	8 W/GND	276 623 30			
20 Hp 15 kW	WATER WELL	3P	200	60	1.15	3	8 W/GND	276 654 00		4500 LBS (20000 N)
		3P	230	60	1.15	3	8 W/GND	276 604 00		
		3P	380	60	1.15	3	8 W/GND	276 664 00		
		3P	460/380	60/50	1.15/1.0	3	8 W/GND	276 614 00		
		3P	460/380	60/50	1.15/1.0	6-90°	8 W/GND	276 634 00		
		3P	575	60	1.15	3	8 W/GND	276 624 00		
	316 SS	3P	200	60	1.15	3	8 W/GND	276 654 30		4500 LBS (20000 N)
		3P	230	60	1.15	3	8 W/GND	276 604 30		
		3P	380	60	1.15	3	8 W/GND	276 664 30		
		3P	460/380	60/50	1.15/1.0	3	8 W/GND	276 614 30		
3P		575	60	1.15	3	8 W/GND	276 624 30			
25 Hp 18.5 kW	WATER WELL	3P	200	60	1.15	3	8 W/GND	276 655 01		7500 LBS (33000 N)
		3P	230	60	1.15	3	8 W/GND	276 605 01		
		3P	380	60	1.15	3	8 W/GND	276 665 01		
		3P	460/380	60/50	1.15/1.0	3	8 W/GND	276 615 01		
		3P	460/380	60/50	1.15/1.0	6-90°	8 W/GND	276 635 01		
		3P	575	60	1.15	3	8 W/GND	276 625 01		
	316 SS	3P	200	60	1.15	3	8 W/GND	276 655 31		7500 LBS (33000 N)
		3P	230	60	1.15	3	8 W/GND	276 605 31		
		3P	380	60	1.15	3	8 W/GND	276 665 31		
		3P	460/380	60/50	1.15/1.0	3	8 W/GND	276 615 31		
3P		575	60	1.15	3	8 W/GND	276 625 31			

6" Submersible Motors Leads

Standard XLPE 125°C Lead

FITS FE MOTOR RATING	JAM NUT MATERIAL	LEAD LENGTH		WIRE SIZE	POWER CONDUCTOR PER CONNECTOR	FE PART NUMBER	REPLACEMENT KIT NUMBER
		FT	M				
All 6" Ratings	Brass	13	4	AWG 8	3 w/GND	152 671 901	305 517 901
	Brass	26	8	AWG 8	3 w/GND	152 671 902	305 517 902
	316 SS	13	4	AWG 8	3 w/GND	152 671 951	305 517 951
	316 SS	26	8	AWG 8	3 w/GND	152 671 952	305 517 952
5-30 Hp 3.7-22 kW	316 SS	50	15	AWG 10	3 w/GND	152 672 955	305 518 955
	316 SS	75	23	AWG 10	3 w/GND	152 672 957	305 518 957
	316 SS	100	30	AWG 10	3 w/GND	152 672 960	305 518 960
	316 SS	125	38	AWG 10	3 w/GND	152 672 962	305 518 962
	316 SS	150	45	AWG 10	3 w/GND	152 672 965	305 518 965
	316 SS	50	15	AWG 8	3 w/GND	152 671 955	305 517 955
	316 SS	75	23	AWG 8	3 w/GND	152 671 957	305 517 957
	316 SS	100	30	AWG 8	3 w/GND	152 671 960	305 517 960
	316 SS	125	38	AWG 8	3 w/GND	152 671 962	305 517 962
	316 SS	150	45	AWG 8	3 w/GND	152 671 965	305 517 965

Special Flat Jacketed Nitrile 90°C Lead (Red)

FITS FE MOTOR RATING	JAM NUT MATERIAL	LEAD LENGTH		WIRE SIZE	POWER CONDUCTOR PER CONNECTOR	FE PART NUMBER	REPLACEMENT KIT NUMBER
		FT	M				
All 6" Ratings	316 SS	13	4	AWG 8	3 w/jacket, no GND	152 128 901	305 200 901
	316 SS	26	8	AWG 8	3 w/jacket, no GND	152 128 919	305 200 919
5-30 Hp 3.7-22 kW	316 SS	50	15	AWG 8	3 w/jacket, no GND	152 128 903	305 200 903
	316 SS	75	23	AWG 8	3 w/jacket, no GND	152 128 904	305 200 904
	316 SS	100	30	AWG 8	3 w/jacket, no GND	152 128 905	305 200 905
	316 SS	125	38	AWG 8	3 w/jacket, no GND	152 128 906	305 200 906
	316 SS	150	45	AWG 8	3 w/jacket, no GND	152 128 902	305 200 902

NOTES:

1. Refer to Franklin Application-Installation-Maintenance (AIM) Manual for accurate cable sizing.
2. Nitrile cable uses lead sleeve 1" longer than standard.
3. MOTOR WARRANTY IS VOID if Franklin-supplied leads are not used.
4. Replacement leads are available in 25 ft. increments up to 150 ft. Special-cut lengths may be available at an additional charge. Consult factory for price and availability.

6" Submersible Motors Hi-Temp 90

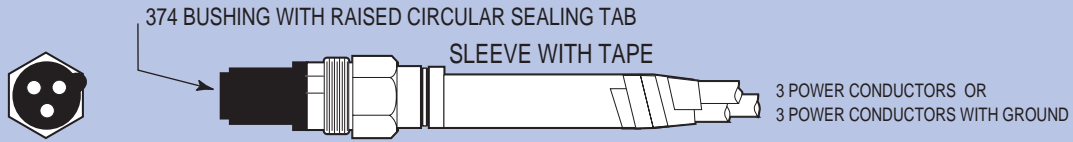
Hi-Temp 90 6-Inch Models

HP (KW)	CONSTRUCTION	DESCRIPTION						MODEL	STOCK STATUS	DOWN- WARD THRUST RATING
		PH	VOLTS	HZ	S.F.	# LEADS	WIRE SIZE (AWG)			
30 Hp 22 kW	WATER WELL	3P	200	60	1.15	3	8 W/GND	276 656 01		7500 LBS (33000 N)
		3P	230	60	1.15	3	8 W/GND	276 606 01		
		3P	380	60	1.15	3	8 W/GND	276 666 01		
		3P	460/380	60/50	1.15/1.0	3	8 W/GND	276 616 01		
		3P	460/380	60/50	1.15/1.0	6-90°	8 W/GND	276 636 01		
		3P	575	60	1.15	3	8 W/GND	276 626 01		
	316 SS	3P	200	60	1.15	3	8 W/GND	276 656 31		7500 LBS (33000 N)
		3P	230	60	1.15	3	8 W/GND	276 606 31		
		3P	380	60	1.15	3	8 W/GND	276 666 31		
		3P	460/380	60/50	1.15/1.0	3	8 W/GND	276 616 31		
3P		575	60	1.15	3	8 W/GND	276 626 31			
40 Hp 30 kW	WATER WELL	3P	380	60	1.15	3	8 W/GND	276 667 01		7500 LBS (33000 N)
		3P	460/380	60/50	1.15/1.0	3	8 W/GND	276 617 01		
		3P	460/380	60/50	1.15/1.0	6-90°	8 W/GND	276 637 01		
		3P	575	60	1.15	3	8 W/GND	276 627 01		
	316 SS	3P	380	60	1.15	3	8 W/GND	276 667 31		7500 LBS (33000 N)
		3P	460/380	60/50	1.15/1.0	3	8 W/GND	276 617 31		
		3P	575	60	1.15	3	8 W/GND	276 627 31		

NOTES:

1. All models listed above include leads (13 ft).
2. 6-Lead wye-delta models available in additional voltage ratings. Consult factory for availability.

6" Submersible Motors Leads



6" Lead Construction Material

Component	Material
Wire	XLPE 125°C or Flat Jacketed Nitrile 90°C
Sleeve	Brass or 316 SS
Potting	Epoxy
Jam Nut	Brass or 316 SS

Specifications subject to change without notice. Contact Franklin Electric if current material types are required for bid specifications.

Standard XLPE 125°C Lead

Excellent resistance to ozone, abrasion, heat, and oxidizing chemicals.

Special Flat Jacketed Nitrile 90°C Lead (Red)

Excellent resistance to petroleum, mineral, and vegetable oils. Good resistance to acids and bases except those having strong oxidizing effects. Poor resistance to oxygenated solvents such as acetone, methyl ethyl ketone (MEK), and other ketones.

6" Submersible Motors Leads

XLPO 135°C - Hi-Temp 90 Motors

FITS FE MOTOR RATING	JAM NUT MATERIAL	LEAD LENGTH		WIRE SIZE	POWER CONDUCTOR PER CONNECTOR	FE PART NUMBER	REPLACEMENT KIT NUMBER
		FT	M				
All 6" Ratings	316 SS	13	4	AWG 8	3 w/GND	152 683 951	305 519 951
	316 SS	26	8	AWG 8	3 w/GND	152 683 952	305 519 952
	316 SS	50	15	AWG 8	3 w/GND	152 683 955	305 519 955
5-30 Hp 3.7-22 kW	316 SS	75	23	AWG 8	3 w/GND	152 683 957	305 519 957
	316 SS	100	30	AWG 8	3 w/GND	152 683 960	305 519 960
	316 SS	125	38	AWG 8	3 w/GND	152 683 962	305 519 962
	316 SS	150	45	AWG 8	3 w/GND	152 683 965	305 519 965

NOTES:

1. Refer to Franklin Application-Installation-Maintenance (AIM) Manual for accurate cable sizing.
2. MOTOR WARRANTY IS VOID if Franklin-supplied leads are not used.



Applications

These motors are built for dependable operation in vertical 8" diameter or larger water wells.

Basic Features

- Full 3525 RPM 60 Hz Design Point for Superior Pump Head & Flow Yield
- Maximum Temperature Winding Wire NEMA Class 200
- Double Flange Design for Ease of Handling and Pump Mounting
- Splined Shaft for Maximum Shaft and Coupling Contact
- Resin Encapsulated Windings
- Hermetically-sealed Stator
- Copper Bar Rotor Provides Consistent Design Performance
- Carbon Ceramic Rotating Face Seal
- Kingsbury-type Water-lubricated Thrust Bearing
- Pressure-equalizing Diaphragm
- Water Bloc Lead Connection
- 3-Lead & 6-Lead (Wye-delta) Configurations
- Pre-filled with Temperature-resistant Fill Solution
- Sand Fighting Slinger
- Equipped with Subtrol Heat Sensor
- Worldwide Availability

Special Options

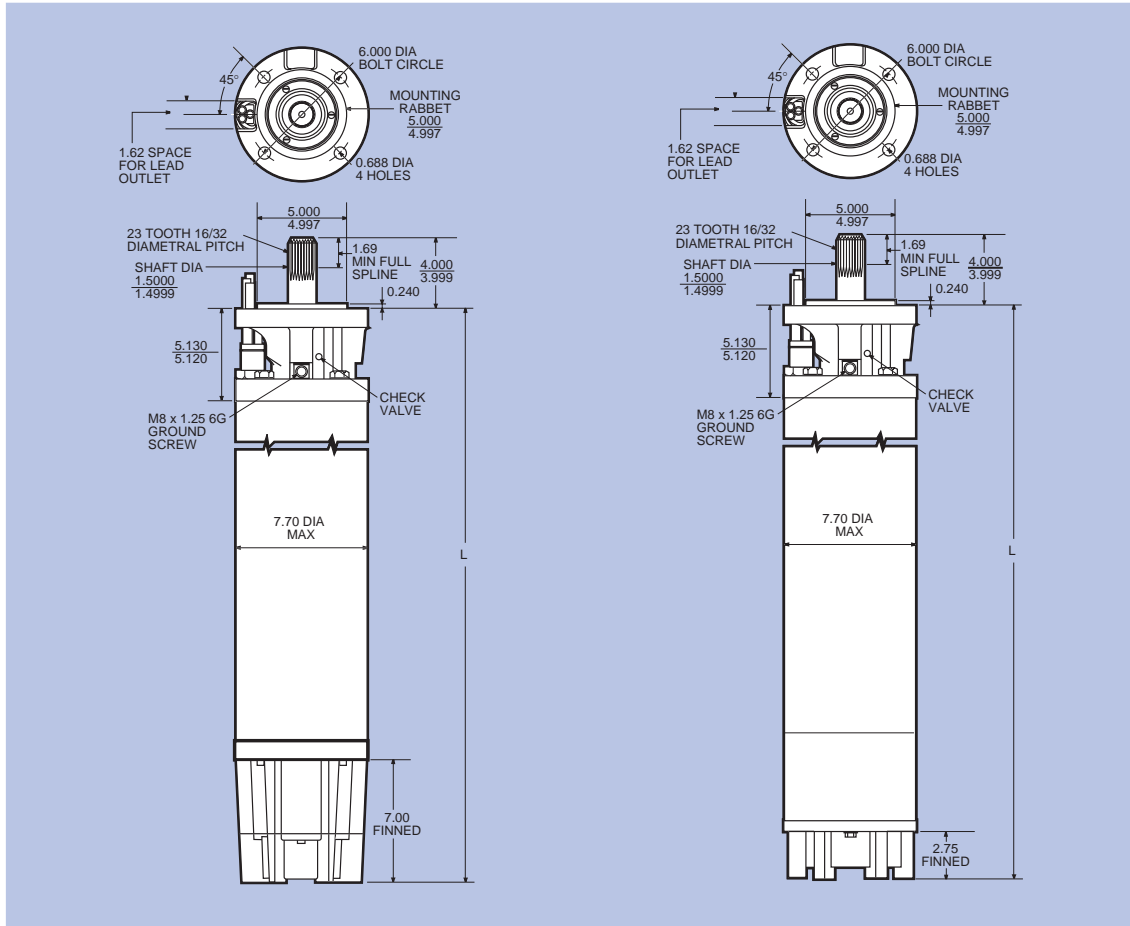
- Sand Fighter Models with special Silicon Carbide based sealing system available for applications with sand or other abrasives.
- 316 SS Construction Models available. All 316 SS models include Sand Fighter sealing system and Subtrol heat sensor for use with SubMonitor protective devices.
- SubMonitor Motor Protection—A field proven and contractor friendly premium motor protection system. It protects the motor against overload, underload, overheating, and rapid cycling. The use of SubMonitor can also extend the motor warranty. See SubMonitor literature for details.

NOTE: Motor must be manufactured with Subtrol heat sensor.

8-Inch Dimensions and Weights

40 Hp to 100 Hp

125 Hp to 200 Hp



3-Lead Three-phase Motors

HP	KW	"L" (inches)	SHIPPING WEIGHT		MOTOR CARTON SIZE (in inches)
			LBS	KG	
40	30	36.4	320	146	17 x 9.25 x 51
50	37	39.4	345	157	17 x 9.25 x 51
60	45	42.4	375	171	17 x 9.25 x 51
75	55	47.4	430	196	17 x 9.25 x 64
100	75	54.9	530	241	17 x 9.25 x 64
125	93	68.8	700	318	17 x 9.25 x 79
150	110	77.8	840	382	17 x 9.25 x 96
175	130	85.8	925	421	17 x 9.25 x 96
200	150	94.8	1040	473	17 x 9.25 x 108

6-Lead Three-phase Motors

HP	KW	"L" (inches)	SHIPPING WEIGHT		MOTOR CARTON SIZE (in inches)
			LBS	KG	
40	30	36.4	330	150	17 x 9.25 x 51
50	37	39.4	355	161	17 x 9.25 x 51
60	45	42.4	385	175	17 x 9.25 x 51
75	55	47.4	440	200	17 x 9.25 x 64
100	75	54.9	540	246	17 x 9.25 x 64
125	93	68.8	710	323	17 x 9.25 x 79
150	110	77.8	850	386	17 x 9.25 x 96
175	130	85.8	935	425	17 x 9.25 x 96
200	150	94.8	1050	477	17 x 9.25 x 108

8" Submersible Motors Standard

Standard 8-Inch Three-phase Motor Specifications

Hz	Hp Range	kW Range	Poles	RPM	Max. Ambient Temp.	Duty Rating
60	40 - 200	30 - 150	2	3525	86°F / 30°C	Continuous at 0.5 ft/sec flow past motor
50	40 - 200	30 - 150	2	2900	86°F / 30°C	Continuous at 0.5 ft/sec flow past motor

Standard 8-Inch Construction Materials

Component	Construction Type		
	Standard Water Well	Sand Fighter™	Corrosion Resistant (316 SS)
Castings	Gray Iron	Gray Iron	316 SS
Stator Shell	304 SS	304 SS	316 SS
Stator Ends	Carbon Steel	Carbon Steel	316 SS
Shaft Extension	17-4 SS	17-4 SS	17-4 SS
Fasteners	300 Series SS	300 Series SS	316 SS
Seal Cover	304 SS & Sintered Bronze	304 SS & Sintered Bronze	316 SS
Seal	Carbon Ceramic Face	Sand Fighter™ SiC/SiC Seal System	Sand Fighter™ SiC/SiC Seal System
Diaphragm	Type 200 Hydrin	Type 200 Hydrin	Type 200 Hydrin
Diaphragm Plate	304 SS	304 SS	316 SS
Diaphragm Spring	302 SS	302 SS	316 SS
Slinger	Type 100 Hydrin	Type 100 Hydrin	Type 100 Hydrin
Lead Wire (or Cable)	XLPE 125°C	XLPE 125°C	XLPE 125°C
Lead Sleeve	316 SS	316 SS	316 SS
Lead Potting	Epoxy	Epoxy	Epoxy
Filter	Delrin & Polyester	Delrin & Polyester	316 SS Plug

Specifications subject to change without notice. Contact Franklin Electric if current material types are required for bid specifications.

8" Submersible Motors Standard

8-Inch Models

HP (KW)	CONSTRUCTION	DESCRIPTION						MODEL	STOCK STATUS	DOWNWARD THRUST RATING
		PH	VOLTS	HZ	S.F.	# LEADS	WIRE SIZE			
40 Hp 30 kW	WATER WELL	3P	230	60	1.15	6-90°	AWG 8	239 650 20		10000 LBS (45000 N)
		3P	380	60	1.15	3	AWG 8	239 660 60		
		3P	380	60	1.15	6-90°	AWG 8	239 680 20		
		3P	460/380	60/50	1.15/1.0	3	AWG 8	239 600 60	YES	
		3P	460/380	60/50	1.15/1.0	6-90°	AWG 8	239 620 20		
		3P	575	60	1.15	3	AWG 8	239 610 60		
	SAND FIGHTER	3P	380	60	1.15	3	AWG 8	239 660 85		10000 LBS (45000 N)
		3P	460/380	60/50	1.15/1.0	3	AWG 8	239 600 85	YES	
		3P	460/380	60/50	1.15/1.0	6-90°	AWG 8	239 620 86		
		3P	575	60	1.15	3	AWG 8	239 610 85		
	316 SS	3P	380	60	1.15	3	AWG 8	239 660 62		10000 LBS (45000 N)
		3P	460/380	60/50	1.15/1.0	3	AWG 8	239 600 62		
3P		460/380	60/50	1.15/1.0	6-90°	AWG 8	239 620 22			
3P		575	60	1.15	3	AWG 8	239 610 62			
50 Hp 37 kW	WATER WELL	3P	230	60	1.15	6-90°	AWG 8	239 651 20		10000 LBS (45000 N)
		3P	380	60	1.15	3	AWG 8	239 661 60		
		3P	380	60	1.15	6-90°	AWG 8	239 681 20		
		3P	460/380	60/50	1.15/1.0	3	AWG 8	239 601 60	YES	
		3P	460/380	60/50	1.15/1.0	6-90°	AWG 8	239 621 20		
		3P	575	60	1.15	3	AWG 8	239 611 60		
	SAND FIGHTER	3P	380	60	1.15	3	AWG 8	239 661 85		10000 LBS (45000 N)
		3P	460/380	60/50	1.15/1.0	3	AWG 8	239 601 85	YES	
		3P	460/380	60/50	1.15/1.0	6-90°	AWG 8	239 621 86		
		3P	575	60	1.15	3	AWG 8	239 611 85		
	316 SS	3P	380	60	1.15	3	AWG 8	239 661 62		10000 LBS (45000 N)
		3P	460/380	60/50	1.15/1.0	3	AWG 8	239 601 62	YES	
3P		460/380	60/50	1.15/1.0	6-90°	AWG 8	239 621 22			
3P		575	60	1.15	3	AWG 8	239 611 62			

8" Submersible Motors Standard

8-Inch Models

HP (KW)	CONSTRUCTION	DESCRIPTION						MODEL	STOCK STATUS	DOWNWARD THRUST RATING
		PH	VOLTS	HZ	S.F.	# LEADS	WIRE SIZE			
60 Hp 45 kW	WATER WELL	3P	230	60	1.15	6-90°	AWG 8	239 652 20		10000 LBS (45000 N)
		3P	380	60	1.15	3	AWG 8	239 662 60		
		3P	380	60	1.15	6-90°	AWG 8	239 682 20		
		3P	460/380	60/50	1.15/1.0	3	AWG 8	239 602 60	YES	
		3P	460/380	60/50	1.15/1.0	6-90°	AWG 8	239 622 20	YES	
		3P	575	60	1.15	3	AWG 8	239 612 60	YES	
	SAND FIGHTER	3P	380	60	1.15	3	AWG 8	239 662 85		10000 LBS (45000 N)
		3P	460/380	60/50	1.15/1.0	3	AWG 8	239 602 85	YES	
		3P	460/380	60/50	1.15/1.0	6-90°	AWG 8	239 622 86		
		3P	575	60	1.15	3	AWG 8	239 612 85		
	316 SS	3P	380	60	1.15	3	AWG 8	239 662 62		10000 LBS (45000 N)
		3P	460/380	60/50	1.15/1.0	3	AWG 8	239 602 62	YES	
3P		460/380	60/50	1.15/1.0	6-90°	AWG 8	239 622 22			
3P		575	60	1.15	3	AWG 8	239 612 62			
75 Hp 55 kW	WATER WELL	3P	230	60	1.15	6-90°	AWG 4	239 653 20		10000 LBS (45000 N)
		3P	380	60	1.15	3	AWG 4	239 663 60	YES	
		3P	380	60	1.15	6-90°	AWG 4	239 683 20		
		3P	460/380	60/50	1.15/1.0	3	AWG 4	239 603 60	YES	
		3P	460/380	60/50	1.15/1.0	6-90°	AWG 4	239 623 20	YES	
		3P	575	60	1.15	3	AWG 4	239 613 60	YES	
	SAND FIGHTER	3P	380	60	1.15	3	AWG 4	239 663 85		10000 LBS (45000 N)
		3P	460/380	60/50	1.15/1.0	3	AWG 4	239 603 85	YES	
		3P	460/380	60/50	1.15/1.0	6-90°	AWG 4	239 623 86		
		3P	575	60	1.15	3	AWG 4	239 613 85		
	316 SS	3P	380	60	1.15	3	AWG 4	239 663 62		10000 LBS (45000 N)
		3P	460/380	60/50	1.15/1.0	3	AWG 4	239 603 62	YES	
3P		460/380	60/50	1.15/1.0	6-90°	AWG 4	239 623 22			
3P		575	60	1.15	3	AWG 4	239 613 62			
100 Hp 75 kW	WATER WELL	3P	230	60	1.15	6-90°	AWG 4	239 654 20		10000 LBS (45000 N)
		3P	380	60	1.15	3	AWG 4	239 664 60	YES	
		3P	380	60	1.15	6-90°	AWG 4	239 684 20		
		3P	460/380	60/50	1.15/1.0	3	AWG 4	239 604 60	YES	
		3P	460/380	60/50	1.15/1.0	6-90°	AWG 4	239 624 20	YES	
		3P	575	60	1.15	3	AWG 4	239 614 60	YES	
	SAND FIGHTER	3P	380	60	1.15	3	AWG 4	239 664 85		10000 LBS (45000 N)
		3P	460/380	60/50	1.15/1.0	3	AWG 4	239 604 85	YES	
		3P	460/380	60/50	1.15/1.0	6-90°	AWG 4	239 624 86		
		3P	575	60	1.15	3	AWG 4	239 614 85		

8" Submersible Motors Standard

8-Inch Models

HP (KW)	CONSTRUCTION	DESCRIPTION						MODEL	STOCK STATUS	DOWNWARD THRUST RATING
		PH	VOLTS	HZ	S.F.	# LEADS	WIRE SIZE			
100 Hp 75 kW	316 SS	3P	380	60	1.15	3	AWG 4	239 664 62		10000 LBS (45000 N)
		3P	460/380	60/50	1.15/1.0	3	AWG 4	239 604 62	YES	
		3P	460/380	60/50	1.15/1.0	6-90°	AWG 4	239 624 22		
		3P	575	60	1.15	3	AWG 4	239 614 62		
125 Hp 93 kW	WATER WELL	3P	380	60	1.15	3	AWG 4	239 165 60		10000 LBS (45000 N)
		3P	380	60	1.15	6-90°	AWG 4	239 185 20		
		3P	460/380	60/50	1.15/1.0	3	AWG 4	239 105 60	YES	
		3P	460/380	60/50	1.15/1.0	6-90°	AWG 4	239 125 20	YES	
		3P	575	60	1.15	3	AWG 4	239 115 60	YES	
	SAND FIGHTER	3P	380	60	1.15	3	AWG 4	239 165 85		10000 LBS (45000 N)
		3P	460/380	60/50	1.15/1.0	3	AWG 4	239 105 85	YES	
		3P	460/380	60/50	1.15/1.0	6-90°	AWG 4	239 125 86		
		3P	575	60	1.15	3	AWG 4	239 115 85		
	316 SS	3P	380	60	1.15	3	AWG 4	239 165 62		10000 LBS (45000 N)
		3P	460/380	60/50	1.15/1.0	3	AWG 4	239 105 62	YES	
		3P	460/380	60/50	1.15/1.0	6-90°	AWG 4	239 125 22		
3P		575	60	1.15	3	AWG 4	239 115 62			
150 Hp 110 kW	WATER WELL	3P	380	60	1.15	3	AWG 2	239 166 60		10000 LBS (45000 N)
		3P	380	60	1.15	6-90°	AWG 4	239 186 20		
		3P	460/380	60/50	1.15/1.0	3	AWG 2	239 106 60	YES	
		3P	460/380	60/50	1.15/1.0	6-90°	AWG 4	239 126 20	YES	
		3P	575	60	1.15	3	AWG 2	239 116 60		
	SAND FIGHTER	3P	380	60	1.15	3	AWG 2	239 166 85		10000 LBS (45000 N)
		3P	460/380	60/50	1.15/1.0	3	AWG 2	239 106 85	YES	
		3P	460/380	60/50	1.15/1.0	6-90°	AWG 4	239 126 86		
		3P	575	60	1.15	3	AWG 2	239 116 85		
	316 SS	3P	380	60	1.15	3	AWG 2	239 166 62		10000 LBS (45000 N)
		3P	460/380	60/50	1.15/1.0	3	AWG 2	239 106 62	YES	
		3P	460/380	60/50	1.15/1.0	6-90°	AWG 4	239 126 22		
3P		575	60	1.15	3	AWG 2	239 116 62			
175 Hp 130 kW	WATER WELL	3P	380	60	1.15	3	AWG 2	239 167 90		10000 LBS (45000 N)
		3P	380	60	1.15	6-90°	AWG 4	239 187 40		
		3P	460/380	60/50	1.15/1.0	3	AWG 2	239 107 90	YES	
		3P	460/380	60/50	1.15/1.0	6-90°	AWG 4	239 127 40		
		3P	575	60	1.15	3	AWG 2	239 117 90		

8" Submersible Motors Standard

8-Inch Models

HP (KW)	CONSTRUCTION	DESCRIPTION						MODEL	STOCK STATUS	DOWNWARD THRUST RATING
		PH	VOLTS	HZ	S.F.	# LEADS	WIRE SIZE			
175 Hp 130 kW	SAND FIGHTER	3P	380	60	1.15	3	AWG 2	239 167 87	YES	10000 LBS (45000 N)
		3P	460/380	60/50	1.15/1.0	3	AWG 2	239 107 87		
		3P	460/380	60/50	1.15/1.0	6-90°	AWG 4	239 127 88		
		3P	575	60	1.15	3	AWG 2	239 117 87		
	316 SS	3P	380	60	1.15	3	AWG 2	239 167 92		10000 LBS (45000 N)
		3P	460/380	60/50	1.15/1.0	3	AWG 2	239 107 92		
		3P	460/380	60/50	1.15/1.0	6-90°	AWG 4	239 127 42		
		3P	575	60	1.15	3	AWG 2	239 117 92		
200 Hp 150 kW	WATER WELL	3P	380	60	1.15	3	AWG 2	239 168 90		10000 LBS (45000 N)
		3P	380	60	1.15	6-90°	AWG 4	239 188 40		
		3P	460/380	60/50	1.15/1.0	3	AWG 2	239 108 90	YES	
		3P	460/380	60/50	1.15/1.0	6-90°	AWG 4	239 128 40		
		3P	575	60	1.15	3	AWG 2	239 118 90		
	SAND FIGHTER	3P	380	60	1.15	3	AWG 2	239 168 87		10000 LBS (45000 N)
		3P	460/380	60/50	1.15/1.0	3	AWG 2	239 108 87	YES	
		3P	460/380	60/50	1.15/1.0	6-90°	AWG 4	239 128 88		
		3P	575	60	1.15	3	AWG 2	239 118 87		
	316 SS	3P	380	60	1.15	3	AWG 2	239 168 92		10000 LBS (45000 N)
		3P	460/380	60/50	1.15/1.0	3	AWG 2	239 108 92		
		3P	460/380	60/50	1.15/1.0	6-90°	AWG 4	239 128 42		
3P		575	60	1.15	3	AWG 2	239 118 92			

NOTES:

1. Models designated above as sand fighter are water well construction.
2. All 316 ss models are equipped with Sand Fighter sealing system.
3. All models listed above include factory installed leads (13 ft).
4. Motor leads do not include ground.

8" Submersible Motors **Hi-Temp 75**



Applications

These motors are built for dependable operation in vertical 8" diameter or larger wells, in applications with higher temperature, higher thrust or low flow.

Basic Features

- Up to 167°F (75°C) Ambient Temperature
- 25% Increase in Upthrust Capability at 30°C
- 25% Increase in Downthrust Capability at 30°C
- Wet Well, Reservoir, Low Flow Approved in 14" Diameter or Larger Wells with Ambient Water up to 86°F (30°C)
- High Temperature Leads
- Hermetically-sealed Stator
- Innovative High Temperature Winding Encapsulation System
- FE Water Soluble, High Temperature Bearing Lubrication
- Double-flange NEMA Mounting for Ease of Handling and Pump Mounting
- Stainless Steel Splined Shaft for Maximum Shaft/Coupling Contact
- Full 3450 RPM 60 Hz Design Point for Superior Pump Performance
- Sand Fighters Sealing System
- Franklin Electric's Exclusive Water Bloc™ Lead Connection
- 316 SS, Wye-delta, and Non-vertical Designs Available – Consult Factory

Hi-Temp 75 8-Inch Three-Phase Motor Specifications

Hz	Hp Range	kW Range	Poles	RPM	Max. Ambient Temp.	Duty Rating
60	40 - 150	30 - 110	2	3525	167°F / 75°C	Continuous at 0.5 ft/sec flow past motor*
50	40 - 150	30 - 110	2	2900	167°F / 75°C	Continuous at 0.5 ft/sec flow past motor*

* Motors are also rated for continuous duty in 86°F (30°C) maximum water temperature with NO FLOW in lakes or 14" diameter or larger wells.

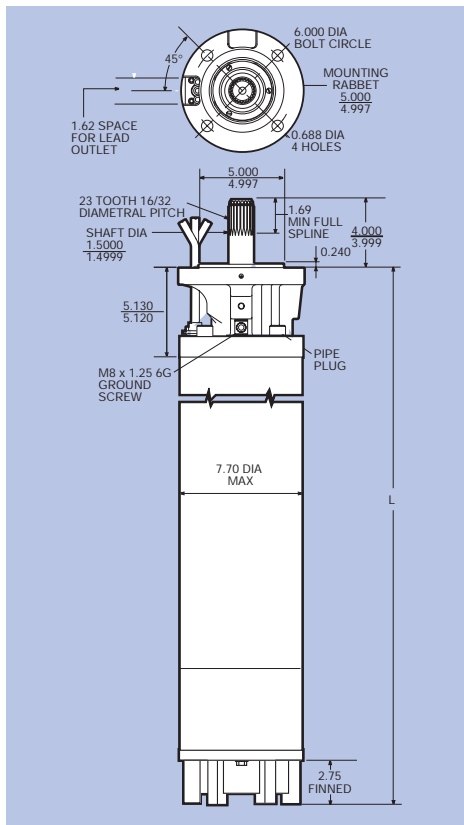
8" Submersible Motors Hi-Temp 75

Hi-Temp 75 8-Inch Construction Materials

Component	Construction Type	
	Standard Water Well	Corrosion Resistant (316 SS)
Castings	Gray Iron	316 SS
Stator Shell	304 SS	316 SS
Stator Ends	Low Carbon Steel	316 SS
Shaft Extension	17-4 SS	17-4 SS
Fasteners	300 & 400 Series SS	316 SS
Seal Cover	304 SS & Sintered Bronze	316 SS
Seal	Sand Fighter™ SiC/SiC Seal System	Sand Fighter™ SiC/SiC Seal System
Diaphragm	Viton®	Viton®
Diaphragm Plate	304 SS	316 SS
Diaphragm Spring	302 SS	316 SS & 25-6 MO SS
Slinger	Viton®	Viton®
Lead Wire (or Cable)	XLPO	XLPO
Lead Potting	Epoxy	Epoxy
Pipe Plug	316 SS	316 SS
Thrust Bearing	Carbon	Carbon

Viton® is a registered trademark of DuPont Dow Elastomers.

Specifications subject to change without notice. Contact Franklin Electric if current material types are required for bid specifications.



8-Inch Hi-Temp 75 Dimensions and Weights

Three-phase Motors

HP	KW	"L" (inches)	SHIPPING WEIGHT		MOTOR CARTON SIZE (in inches)
			LBS	KG	
40	30	44.8	400	182	17 x 9.25 x 51
50	37	49.8	455	207	17 x 9.25 x 64
60	45	57.3	555	252	17 x 9.25 x 64
75	55	68.8	700	318	17 x 9.25 x 79
100	75	77.8	840	382	17 x 9.25 x 96
125	93	85.8	925	421	17 x 9.25 x 96
150	110	94.8	1040	473	17 x 9.25 x 108

8" Submersible Motors Hi-Temp 75

8-Inch Hi-Temp 75 Models

HP (kW)	CONSTRUCTION	DESCRIPTION						MODEL	STOCK STATUS	DOWNWARD THRUST RATING
		PH	VOLTS	HZ	S.F.	# LEADS	WIRE SIZE			
40 Hp 30 kW	WATER WELL	3P	380	60	1.15	3	AWG 2	279 160 90		12500 LBS (55600 N)
		3P	380	60	1.15	6-90°	AWG 2	279 600 90		
		3P	460/380	60/50	1.15/1.0	3	AWG 2	279 100 90		
		3P	460/380	60/50	1.15/1.0	6-90°	AWG 2	279 120 90		
		3P	575	60	1.15	3	AWG 2	279 110 90		
		3P	575	60	1.15	6-90°	AWG 2	279 190 90		
	316 SS	3P	460/380	60/50	1.15/1.0	3	AWG 2	279 100 92		
50 Hp 37 kW	WATER WELL	3P	380	60	1.15	3	AWG 2	279 161 90		12500 LBS (55600 N)
		3P	380	60	1.15	6-90°	AWG 2	279 601 90		
		3P	460/380	60/50	1.15/1.0	3	AWG 2	279 101 90		
		3P	460/380	60/50	1.15/1.0	6-90°	AWG 2	279 121 90		
		3P	575	60	1.15	3	AWG 2	279 111 90		
		3P	575	60	1.15	6-90°	AWG 2	279 191 90		
	316 SS	3P	460/380	60/50	1.15/1.0	3	AWG 2	279 101 92		
60 Hp 45 kW	WATER WELL	3P	380	60	1.15	3	AWG 2	279 162 90		12500 LBS (55600 N)
		3P	380	60	1.15	6-90°	AWG 2	279 602 90		
		3P	460/380	60/50	1.15/1.0	3	AWG 2	279 102 90	YES	
		3P	460/380	60/50	1.15/1.0	6-90°	AWG 2	279 122 90		
		3P	575	60	1.15	3	AWG 2	279 112 90		
		3P	575	60	1.15	6-90°	AWG 2	279 192 90		
	316 SS	3P	460/380	60/50	1.15/1.0	3	AWG 2	279 102 92		
75 Hp 55 kW	WATER WELL	3P	380	60	1.15	3	AWG 2	279 163 90		12500 LBS (55600 N)
		3P	380	60	1.15	6-90°	AWG 2	279 603 90		
		3P	460/380	60/50	1.15/1.0	3	AWG 2	279 103 90	YES	
		3P	460/380	60/50	1.15/1.0	6-90°	AWG 2	279 123 90		
		3P	575	60	1.15	3	AWG 2	279 113 90		
		3P	575	60	1.15	6-90°	AWG 2	279 193 90		
	316 SS	3P	460/380	60/50	1.15/1.0	3	AWG 2	279 103 92		

8" Submersible Motors Hi-Temp 75

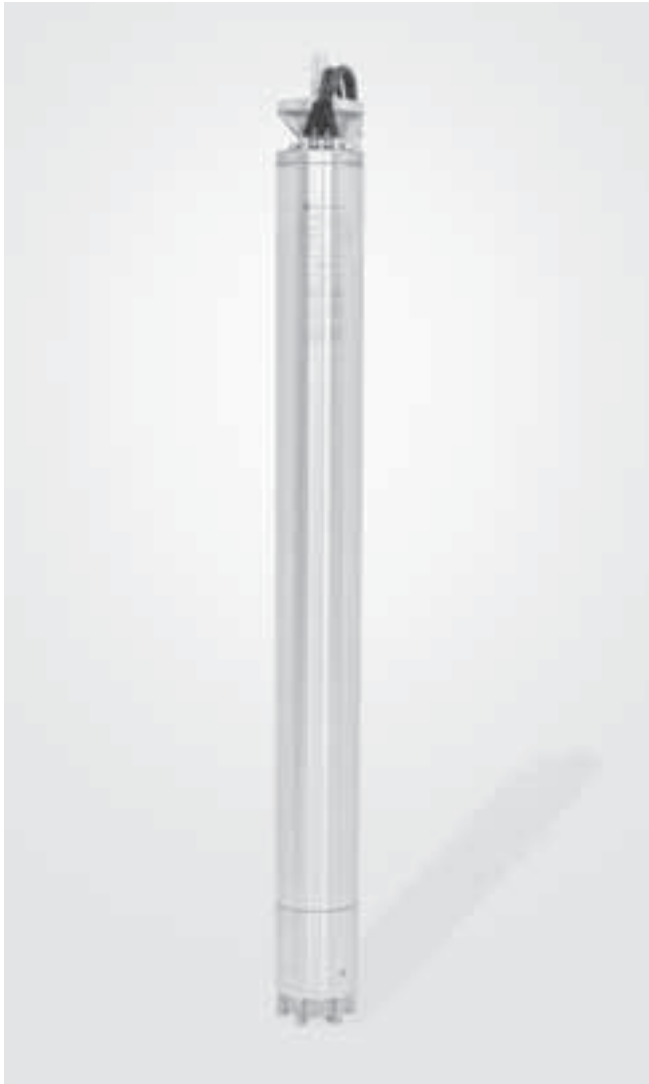
8-Inch Hi-Temp 75 Models

HP (KW)	CONSTRUCTION	DESCRIPTION						MODEL	STOCK STATUS	DOWNWARD THRUST RATING
		PH	VOLTS	HZ	S.F.	# LEADS	WIRE SIZE			
100 Hp 75 kW	WATER WELL	3P	380	60	1.15	3	AWG 2	279 164 90		12500 LBS (55600 N)
		3P	380	60	1.15	6-90°	AWG 2	279 604 90		
		3P	460/380	60/50	1.15/1.0	3	AWG 2	279 104 90	YES	
		3P	460/380	60/50	1.15/1.0	6-90°	AWG 2	279 124 90		
		3P	575	60	1.15	3	AWG 2	279 114 90		
		3P	575	60	1.15	6-90°	AWG 2	279 194 90		
	316 SS	3P	460/380	60/50	1.15/1.0	3	AWG 2	279 104 92		
125 Hp 93 kW	WATER WELL	3P	380	60	1.15	3	AWG 2	279 165 90		12500 LBS (55600 N)
		3P	380	60	1.15	6-90°	AWG 2	279 605 90		
		3P	460/380	60/50	1.15/1.0	3	AWG 2	279 105 90	YES	
		3P	460/380	60/50	1.15/1.0	6-90°	AWG 2	279 125 90		
		3P	575	60	1.15	3	AWG 2	279 115 90		
		3P	575	60	1.15	6-90°	AWG 2	279 195 90		
	316 SS	3P	460/380	60/50	1.15/1.0	3	AWG 2	279 105 92		
150 Hp 110 kW	WATER WELL	3P	380	60	1.15	3	AWG 2	279 166 90		12500 LBS (55600 N)
		3P	380	60	1.15	6-90°	AWG 2	279 606 90		
		3P	460/380	60/50	1.15/1.0	3	AWG 2	279 106 90		
		3P	460/380	60/50	1.15/1.0	6-90°	AWG 2	279 126 90		
		3P	575	60	1.15	3	AWG 2	279 116 90		
		3P	575	60	1.15	6-90°	AWG 2	279 196 90		
	316 SS	3P	460/380	60/50	1.15/1.0	3	AWG 2	279 106 92		

NOTES:

1. All models listed above include leads (13 ft)
2. Motor leads do not include ground

8" Submersible Motors 316SS Booster



Applications

These motors are built for dependable operation in horizontal booster applications. Refer to the Franklin Application Installation Maintenance (AIM) manual "Inline Booster Pump Systems" for specific application requirements.

Basic Features

- Hermetically Sealed Stator with Resin Encapsulated Premium Windings
- Special Bearing System for Horizontal Applications
- Dynamically-balanced Rotor for Maximum Bearing Life and Smooth Operation
- Kingsbury-type Thrust Bearing with Franklin Electric's FE92 Fill Solution.
- Stainless Steel Splined Shaft
- Approved for VFD and Soft Starter Applications
- Precision-machined Surfaces for Easier Alignment of Motor in Booster Sleeve
- Special Fluid Exchange System for Applications Where Deionized Water Is Required.
- 125°C Field Replaceable Lead
- Franklin Electric Exclusive Water Bloc Lead Connection

8-Inch 316SS Three-phase Booster Motor Specifications

Hz	Hp Range	kW Range	Poles	RPM	Max. Ambient Temp.	Duty Rating
60	40 - 125	30 - 93	2	3525	104°F / 40°C	Continuous at 0.5 ft/sec flow past motor
50	40 - 125	30 - 93	2	2900	104°F / 40°C	Continuous at 0.5 ft/sec flow past motor

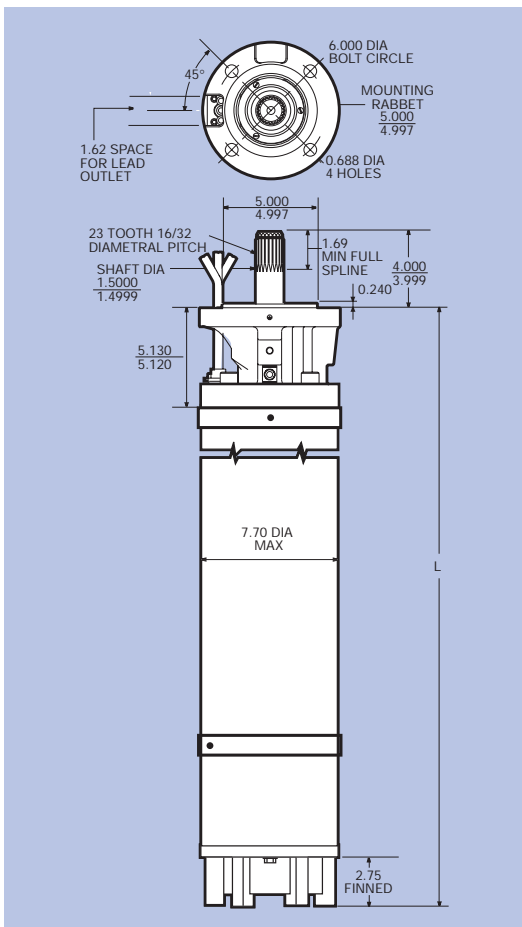
8" Submersible Motors 316SS Booster

316SS 8-Inch Booster Construction Materials

Component	Construction Type
	316 SS (Booster)
Castings	316 SS
Stator Shell	316 SS
Stator Ends	316 SS
Shaft Extension	17-4 SS
Fasteners	316 SS
Seal Cover	316 SS
Seal	Carbon/Ceramic Face Seal
Diaphragm	Viton
Diaphragm Plate	316 SS
Diaphragm Spring	316 SS & 25-6 MO SS
Lead Wire (or Cable)	XLPO 135°C
Lead Potting	Epoxy

Viton® is a registered trademark of DuPont Dow Elastomers.

Specifications subject to change without notice. Contact Franklin Electric if current material types are required for bid specifications.



8-Inch Booster Dimensions and Weights

Three-phase Motors

HP	KW	"L" (inches)	SHIPPING WEIGHT		MOTOR CARTON SIZE (in inches)
			LBS	KG	
40	30	38.8	350	159	17 x 9.25 x 51
50	37	41.8	375	171	17 x 9.25 x 51
60	45	44.8	405	184	17 x 9.25 x 51
75	55	49.8	460	209	17 x 9.25 x 64
100	75	57.3	560	255	17 x 9.25 x 64
125	93	68.8	700	318	17 x 9.25 x 79

8" Submersible Motors 316SS Booster

8 inch 316SS Booster Models

HP (KW)	CONSTRUCTION	DESCRIPTION						MODEL	STOCK STATUS	DOWNWARD THRUST RATING
		PH	VOLTS	HZ	S.F.	# LEADS	WIRE SIZE			
40 Hp 30 kW	316 SS	3P	380	60	1.15	3	AWG 2	299 160 92		10000 LBS (45000 N)
		3P	380	60	1.15	6-90°	AWG 2	299 180 92		
		3P	460/380	60/50	1.15/1.0	3	AWG 2	299 100 92	YES	
		3P	460/380	60/50	1.15/1.0	6-90°	AWG 2	299 120 92		
		3P	575	60	1.15	3	AWG 2	299 110 92		
		3P	575	60	1.15	6-90°	AWG 2	299 190 92		
50 Hp 37 kW	316 SS	3P	380	60	1.15	3	AWG 2	299 161 92		10000 LBS (45000 N)
		3P	380	60	1.15	6-90°	AWG 2	299 181 92		
		3P	460/380	60/50	1.15/1.0	3	AWG 2	299 101 92	YES	
		3P	460/380	60/50	1.15/1.0	6-90°	AWG 2	299 121 92		
		3P	575	60	1.15	3	AWG 2	299 111 92		
		3P	575	60	1.15	6-90°	AWG 2	299 191 92		
60 Hp 45 kW	316 SS	3P	380	60	1.15	3	AWG 2	299 162 92		10000 LBS (45000 N)
		3P	380	60	1.15	6-90°	AWG 2	299 182 92		
		3P	460/380	60/50	1.15/1.0	3	AWG 2	299 102 92	YES	
		3P	460/380	60/50	1.15/1.0	6-90°	AWG 2	299 122 92		
		3P	575	60	1.15	3	AWG 2	299 112 92		
		3P	575	60	1.15	6-90°	AWG 2	299 192 92		
75 Hp 55 kW	316 SS	3P	380	60	1.15	3	AWG 2	299 163 92		10000 LBS (45000 N)
		3P	380	60	1.15	6-90°	AWG 2	299 183 92		
		3P	460/380	60/50	1.15/1.0	3	AWG 2	299 103 92	YES	
		3P	460/380	60/50	1.15/1.0	6-90°	AWG 2	299 123 92		
		3P	575	60	1.15	3	AWG 2	299 113 92		
		3P	575	60	1.15	6-90°	AWG 2	299 193 92		
100 Hp 75 kW	316 SS	3P	380	60	1.15	3	AWG 2	299 164 92		10000 LBS (45000 N)
		3P	380	60	1.15	6-90°	AWG 2	299 184 92		
		3P	460/380	60/50	1.15/1.0	3	AWG 2	299 104 92	YES	
		3P	460/380	60/50	1.15/1.0	6-90°	AWG 2	299 124 92		
		3P	575	60	1.15	3	AWG 2	299 114 92		
		3P	575	60	1.15	6-90°	AWG 2	299 194 92		

8" Submersible Motors 316SS Booster

8 inch 316SS Booster Models

HP (KW)	CONSTRUCTION	DESCRIPTION						MODEL	STOCK STATUS	DOWNWARD THRUST RATING
		PH	VOLTS	HZ	S.F.	# LEADS	WIRE SIZE			
125 Hp 93 kW	316 SS	3P	380	60	1.15	3	AWG 2	299 165 92		10000 LBS (45000 N)
		3P	380	60	1.15	6-90°	AWG 2	299 185 92		
		3P	460/380	60/50	1.15/1.0	3	AWG 2	299 105 92	YES	
		3P	460/380	60/50	1.15/1.0	6-90°	AWG 2	299 125 92	YES	
		3P	575	60	1.15	3	AWG 2	299 115 92		
		3P	575	60	1.15	6-90°	AWG 2	299 195 92		

NOTES:

1. All models listed above include leads (13 ft).
2. Motor leads do not include ground.

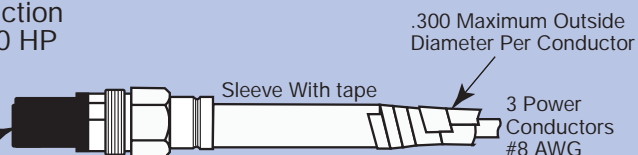
8" Submersible Motors Leads

Standard XLPE 125°C Lead

Motor Construction For 40, 50 & 60 HP



764 Bushing With Raised Triangular Sealing Tab



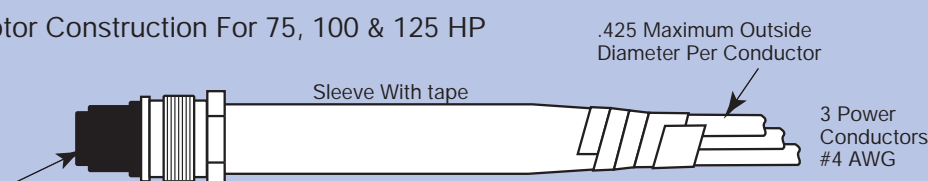
.300 Maximum Outside Diameter Per Conductor

3 Power Conductors #8 AWG

Motor Construction For 75, 100 & 125 HP



319 Bushing With Raised Round Sealing Tab



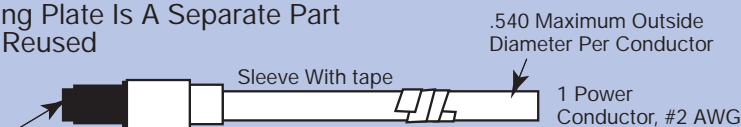
.425 Maximum Outside Diameter Per Conductor

3 Power Conductors #4 AWG

Motor Construction For 150, 175 & 200 HP
Lead Clamping Plate Is A Separate Part And Can Be Reused



593 Bushing With Raised



.540 Maximum Outside Diameter Per Conductor

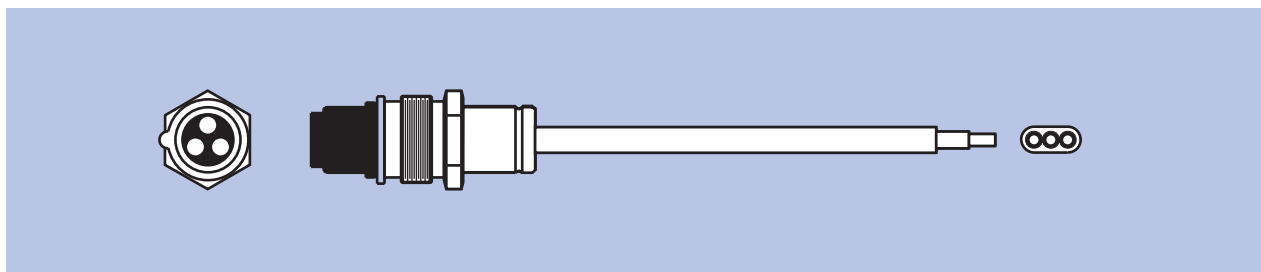
1 Power Conductor, #2 AWG

Standard XLPE 125°C Lead

FITS FE MOTOR RATING	JAM NUT MATERIAL	LEAD LENGTH		WIRE SIZE	POWER CONDUCTOR PER CONNECTOR	FE PART NUMBER	REPLACEMENT KIT NUMBER
		FT	M				
40-60 Hp 30-45 kW	Brass	13	4	AWG 8	3 no GND	152 698 901	305 516 901
	Brass	26	8	AWG 8	3 no GND	152 698 902	305 516 902
	316 SS	13	4	AWG 8	3 no GND	152 698 950	305 516 950
	316 SS	26	8	AWG 8	3 no GND	152 698 951	305 516 951
75-125 Hp 55-93 kW	Brass	13	4	AWG 4	3 no GND	165 238 901	305 210 901
	Brass	26	8	AWG 4	3 no GND	165 238 924	305 210 924
	316 SS	13	4	AWG 4	3 no GND	165 238 903	305 210 903
	316 SS	26	8	AWG 4	3 no GND	165 238 928	305 210 928
150-200 Hp 110-150 kW	316 SS	13	4	AWG 2	1 no GND (3 shipped)	165 617 901	305 315 901
	316 SS	26	8	AWG 2	1 no GND (3 shipped)	165 617 902	305 315 902

8" Submersible Motors Leads

Special Flat Jacketed Nitrile 90°C Lead (Red)



Special Flat Jacketed Nitrile 90°C Lead (Red)

FITS FE MOTOR RATING	JAM NUT MATERIAL	LEAD LENGTH		WIRE SIZE	POWER CONDUCTOR PER CONNECTOR	FE PART NUMBER	REPLACEMENT KIT NUMBER
		FT	M				
40-60 Hp 30-45 kW	316 SS	13	4	AWG 8	3 w/jacket, no GND	152 660 901	305 339 901
	316 SS	26	8	AWG 8	3 w/jacket, no GND	152 660 902	305 339 902
75-125 Hp 55-93 kW	316 SS	13	4	AWG 4	3 w/jacket, no GND	152 163 907	305 209 907
	316 SS	26	8	AWG 4	3 w/jacket, no GND	152 163 914	305 209 914

NOTE:

Horsepower ratings on all charts are for 3-lead 460v/60hz models manufactured 1994 or later. For motors manufactured prior to 1994, consult factory for correct lead models.

XLPO 135°C Lead - Booster Motors

FITS FE MOTOR RATING	JAM NUT MATERIAL	LEAD LENGTH		WIRE SIZE	POWER CONDUCTOR PER CONNECTOR	FE PART NUMBER	REPLACEMENT KIT NUMBER
		FT	M				
All Ratings	316 SS	13	4	AWG 2	1 no GND (3 shipped)	165 617 901	305 315 901
	316 SS	26	8	AWG 2	1 no GND (3 shipped)	165 617 902	305 315 902

8-Inch Lead Construction Materials

Component	Material
Wire	RHW Hypalon 75°C, Nitrile 90°C, or XLPO 135°C
Sleeve	Brass or 316 SS
Potting	Epoxy
Jam Nut	Brass or 316 SS

Specifications subject to change without notice. Contact Franklin Electric if current material types are required for bid specifications.